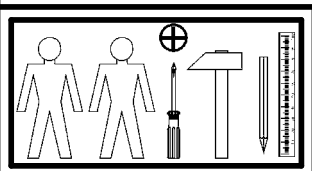
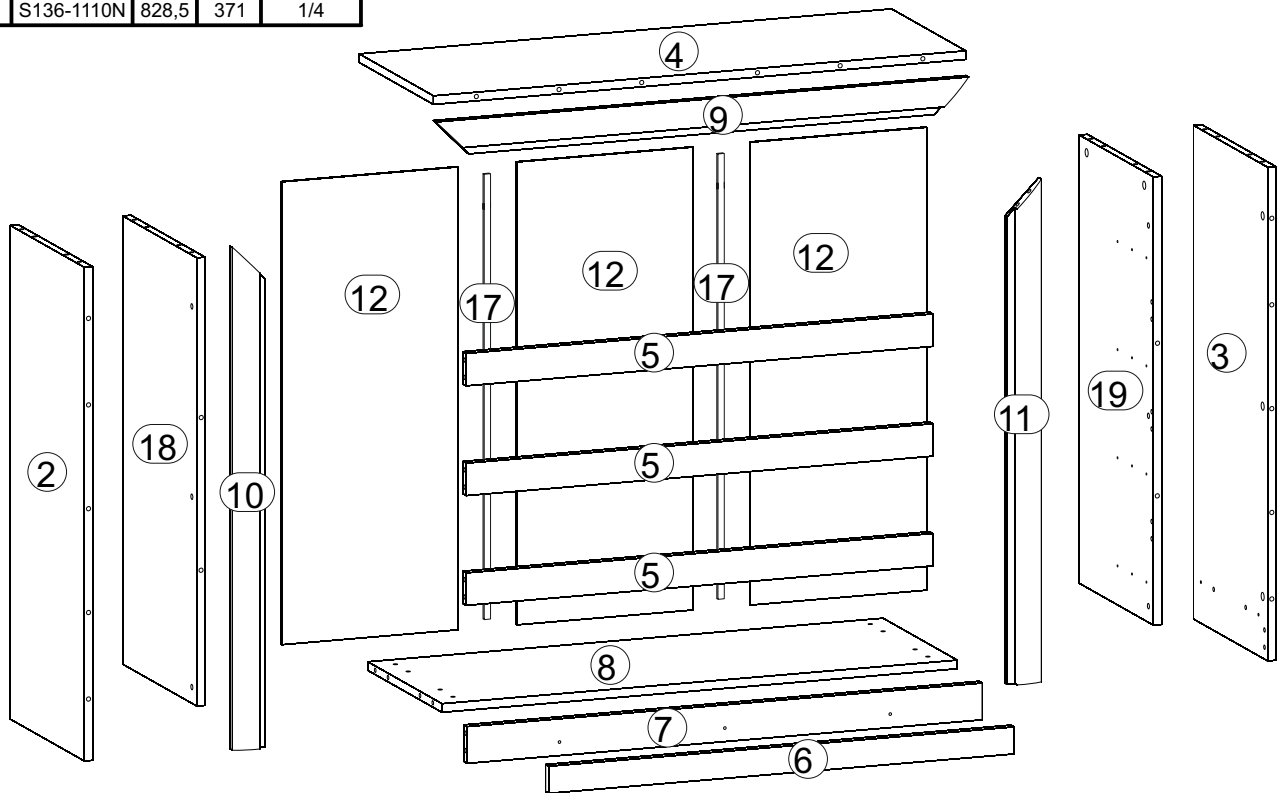
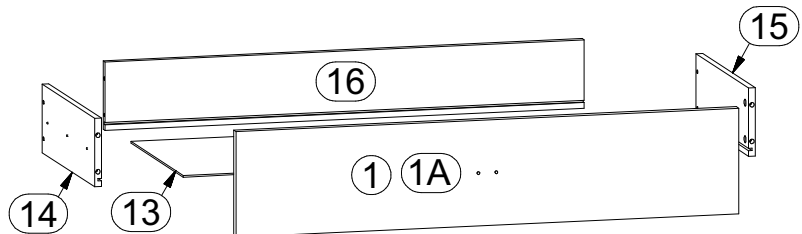
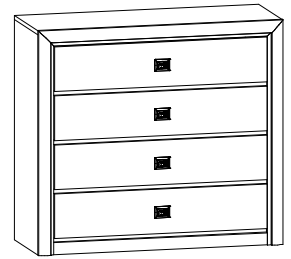


# КОЕН II

# КОМ4S

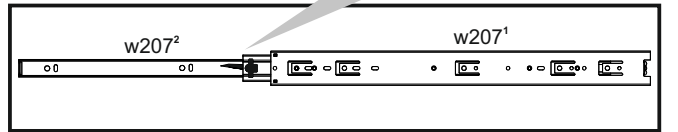
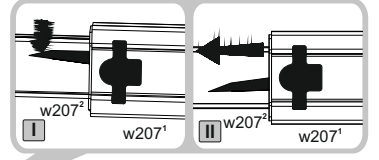
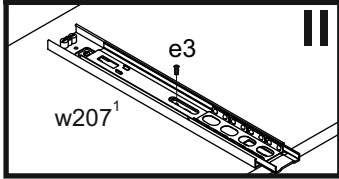
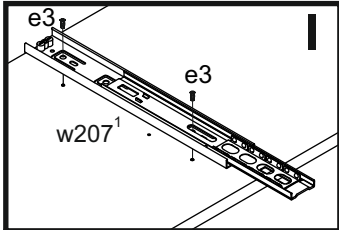
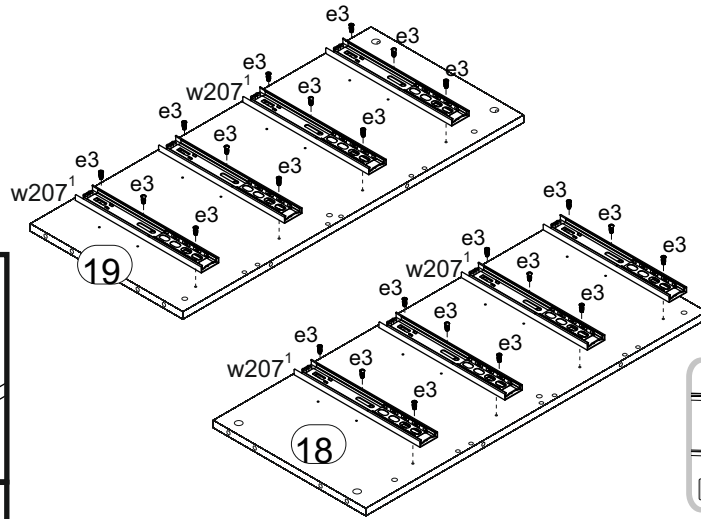
A	B	C	D	
1	S136-0043	896	185	4/4
1A	S136-0043A	896	185	4/4
2	S136-153	913	371	1/4
3	S136-154	913	371	1/4
4	S136-206	1030	371	1/4
5	S136-402	903	60	1/4
6	S136-403	901	50	1/4
7	S136-401	997	68	1/4
8	S136-327	997	371	1/4
9	S136-573	1031	65	3/4
10	S136-582A	930	65	3/4
11	S136-583A	930	65	3/4
12	S136-910	856	341	1/4
13	S136-936A	860	348	1/4
14	S136-5511N	350	120	2/4
15	S136-5512N	350	120	2/4
16	S136-5571	845	120	2/4
17	Lh-828	828	14	1/4
18	S136-1109N	828,5	371	1/4
19	S136-1110N	828,5	371	1/4

→ Фасад ДСП  
→ Фасад МДФ

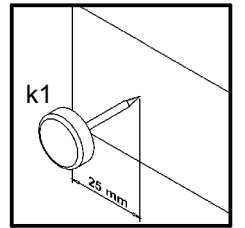
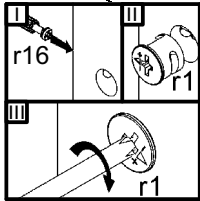
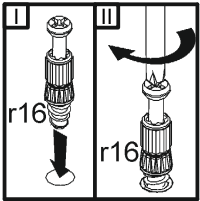
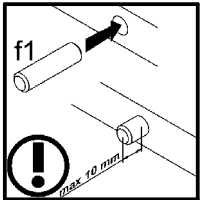
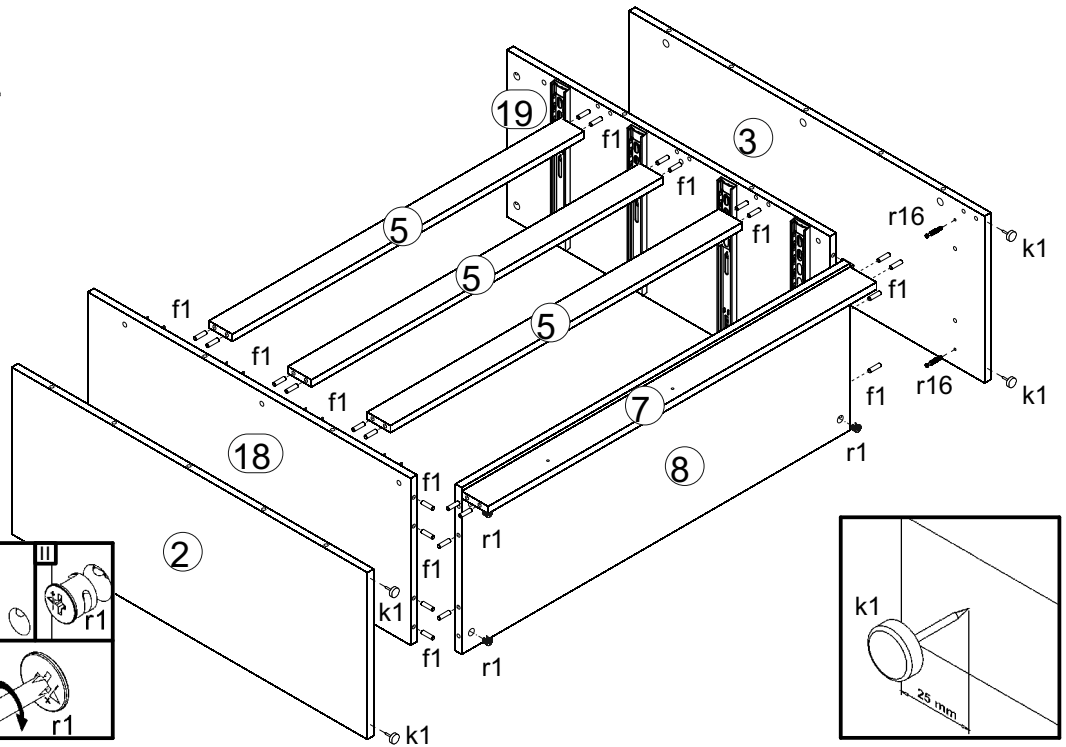


4x  c317	24x  φ6x13 mm e3	16x  φ5x50 mm e32	52x  φ8x30 mm f1	8x  M4x25 mm j8	4x  k1	30x  l1
1x  n2611	8x  φ3,5x16 mm p25	1x  φ3,5x16 mm p38	3x  φ4x28 mm p94	24x  φ3,5x12 mm p140	38x  φ1,5x12mm #16 r1	2x  r10
34x  20/9 r16	20x  ø16 s2	2x  ø20 самоклеяка s100	4x  333 mm t19	8x  350 mm w207/1	8x  350 mm w207/2	

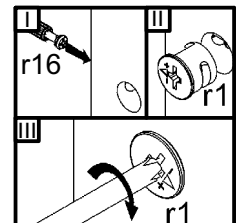
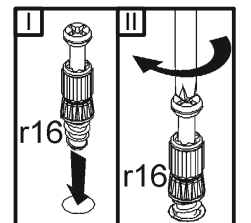
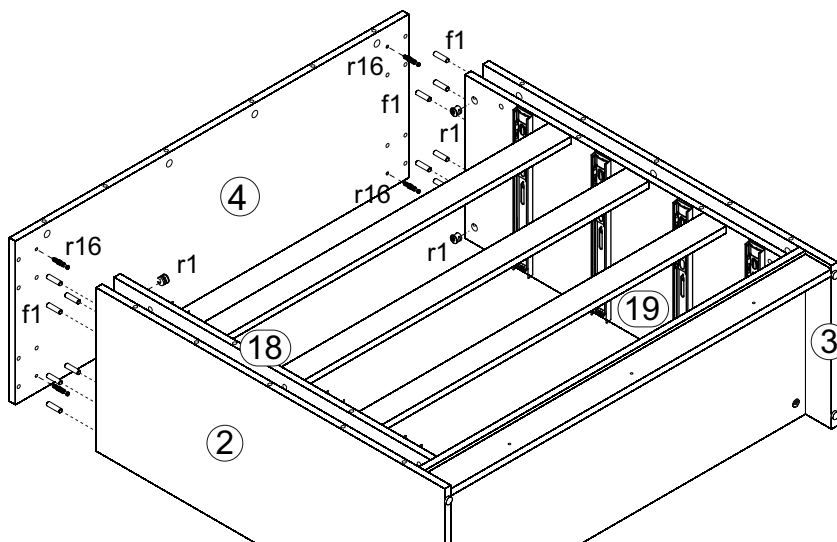
# 1

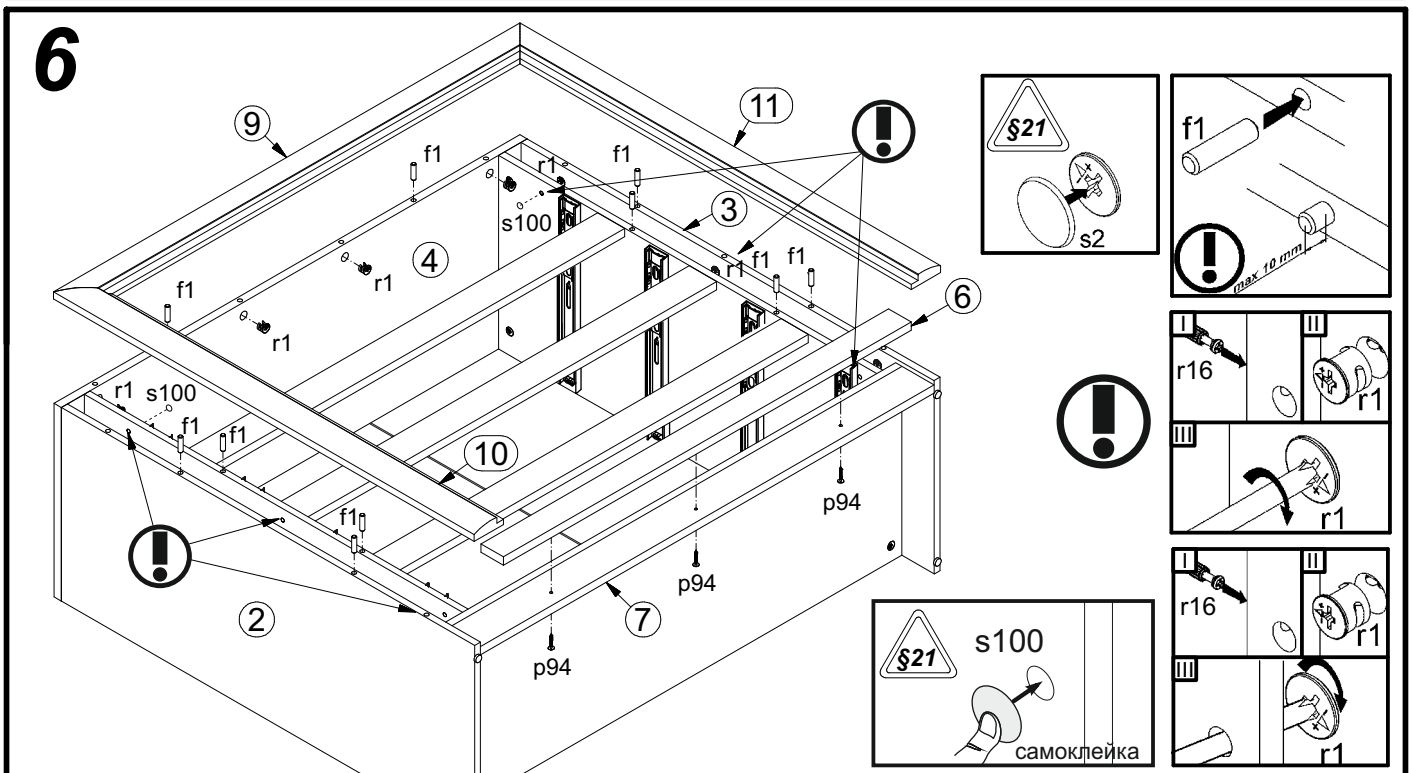
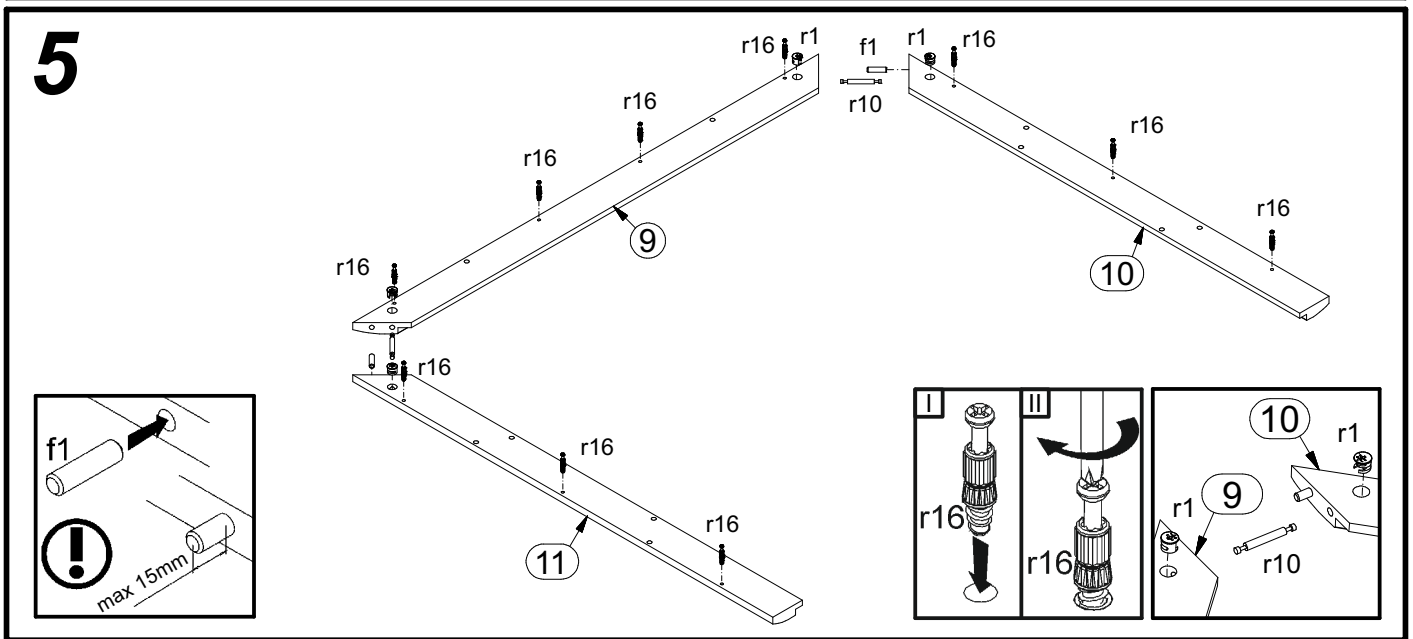
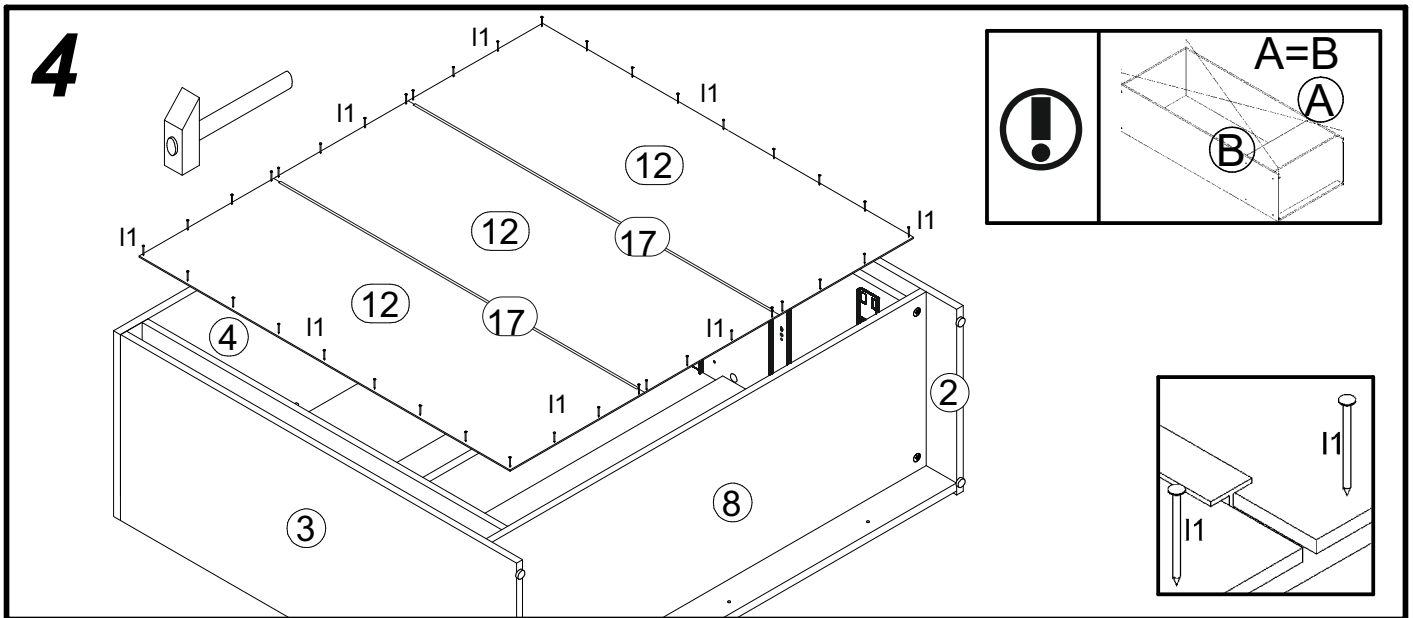


# 2

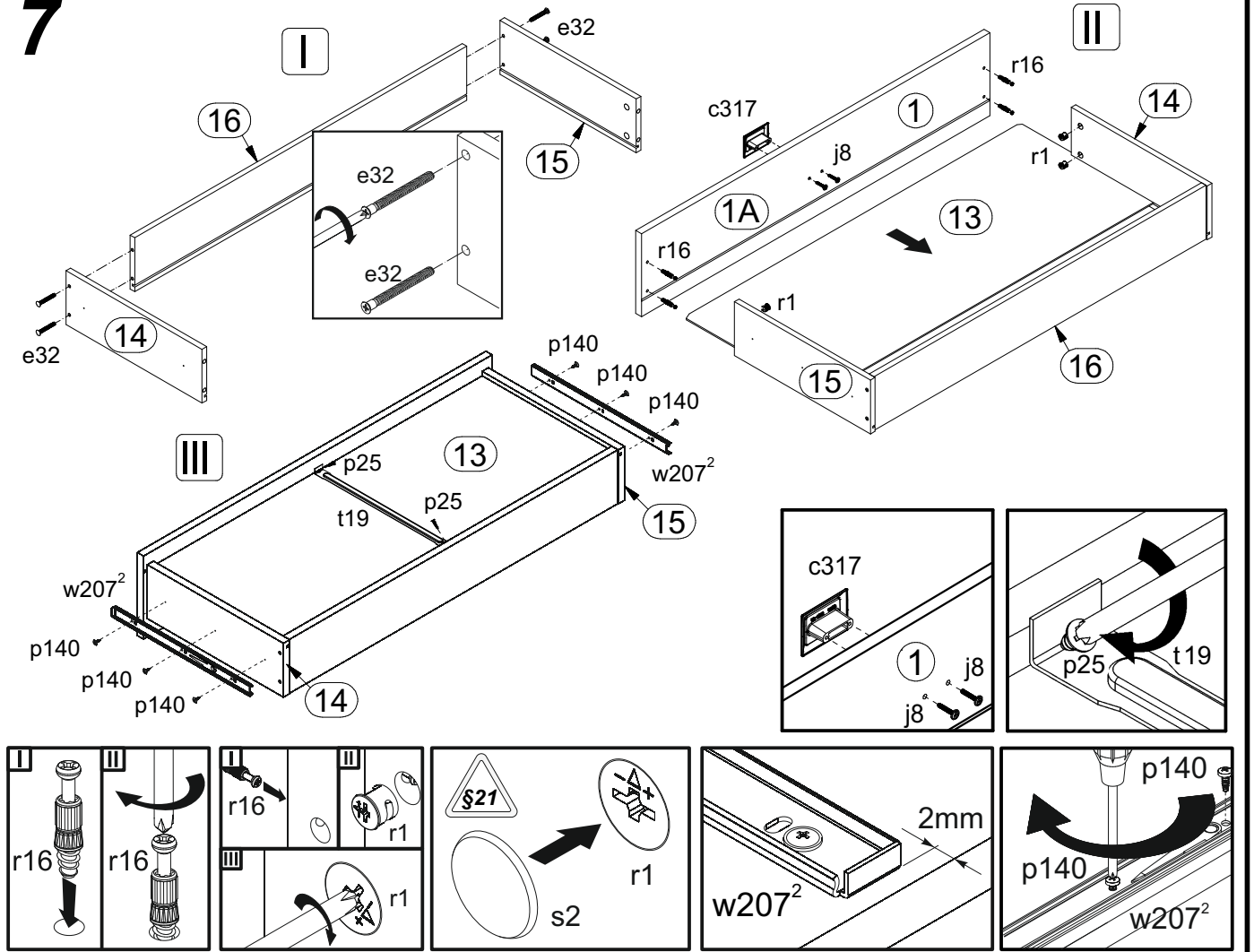


# 3





# 7



# 8

