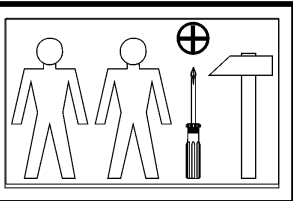
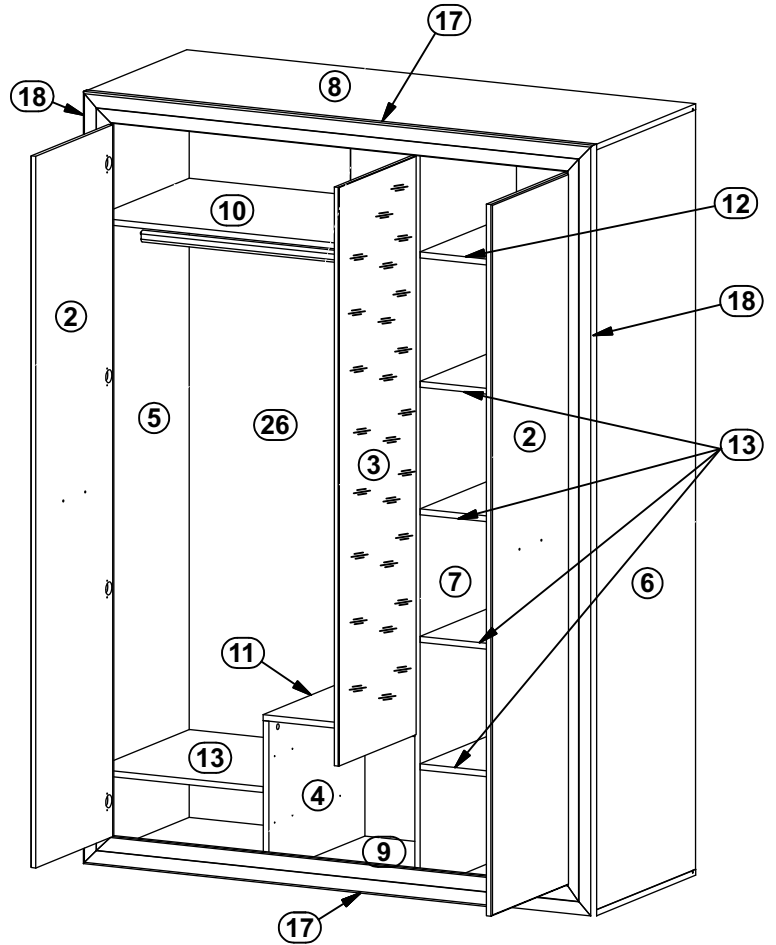
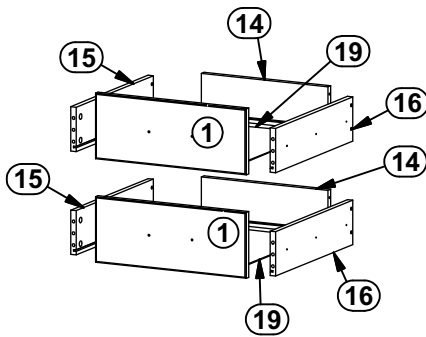
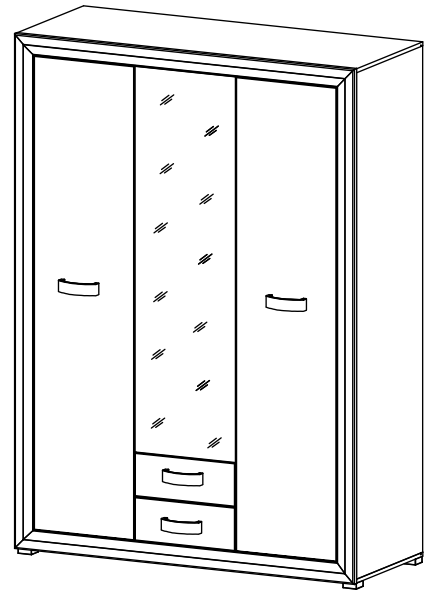


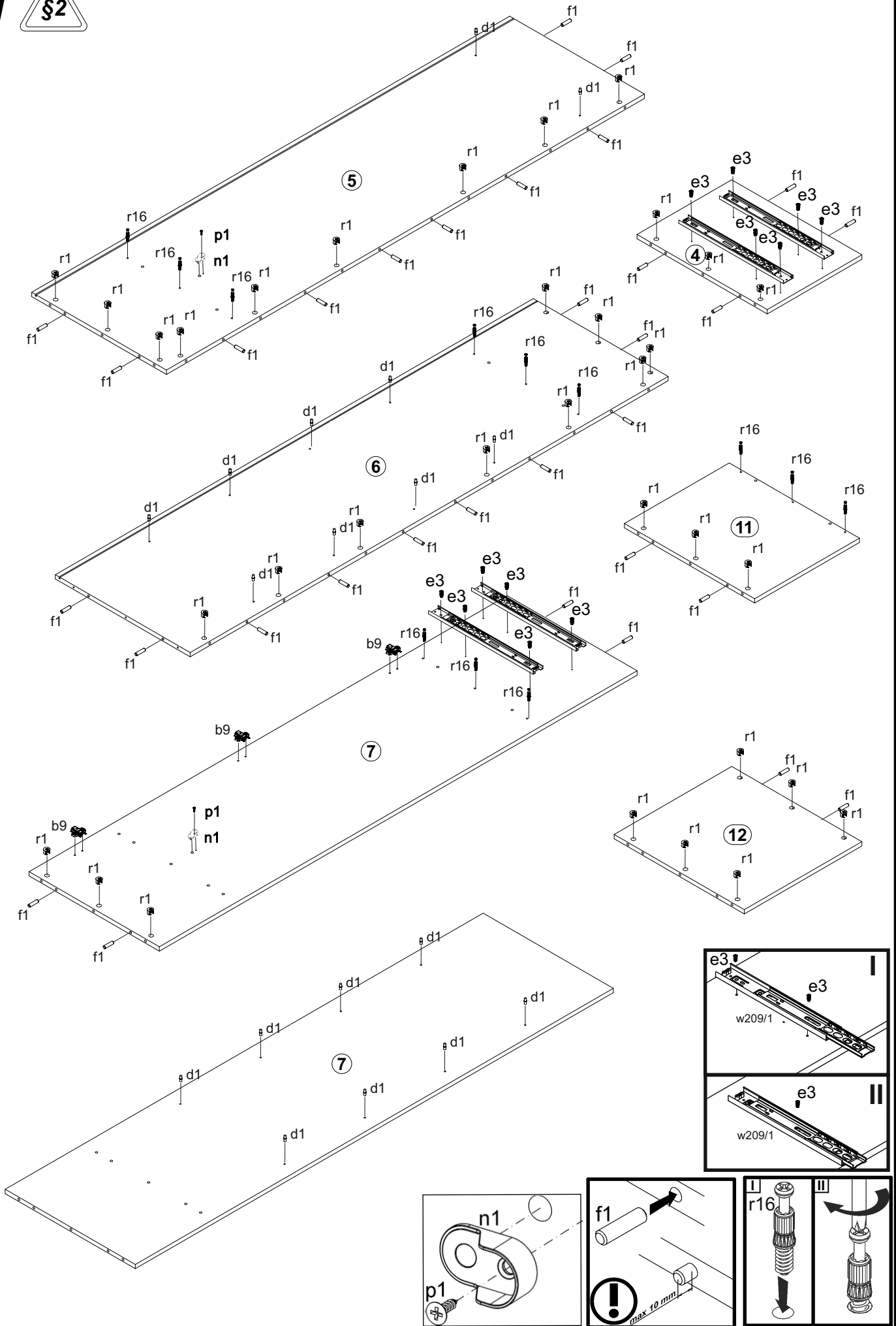
B136-SZF3D2S

A	B	C	D	
1	B136-006	447	177	3/6
2	B136-019	1924	447	3/6
3	B136-0032	1564	447	5/6
4	B136-106	417	560	2/6
5	B136-118	2056	580	1/6
6	B136-119	2056	580	1/6
7	B136-120	2056	560	1/6
8	B136-215	1511	580	2/6
9	B136-216	1511	580	2/6
10	B136-309	955	560	2/6
11	B136-303	452	560	2/6
12	B136-310	505	560	3/6
13	B136-311	504	556	3/6
14	B136-508	377	120	2/6
15	B136-516	450	120	2/6
16	B136-517	450	120	2/6
17	B136-573	1513	80	4/6
18	B136-579	2090	80	4/6
19	B136-933	391	448	2/6
20	B136-916	2066	519	1/6
21	B136-929	2066	483	1/6
22	dr-948	948	30	2/6
23	Lh-2050	2050	14	1/6

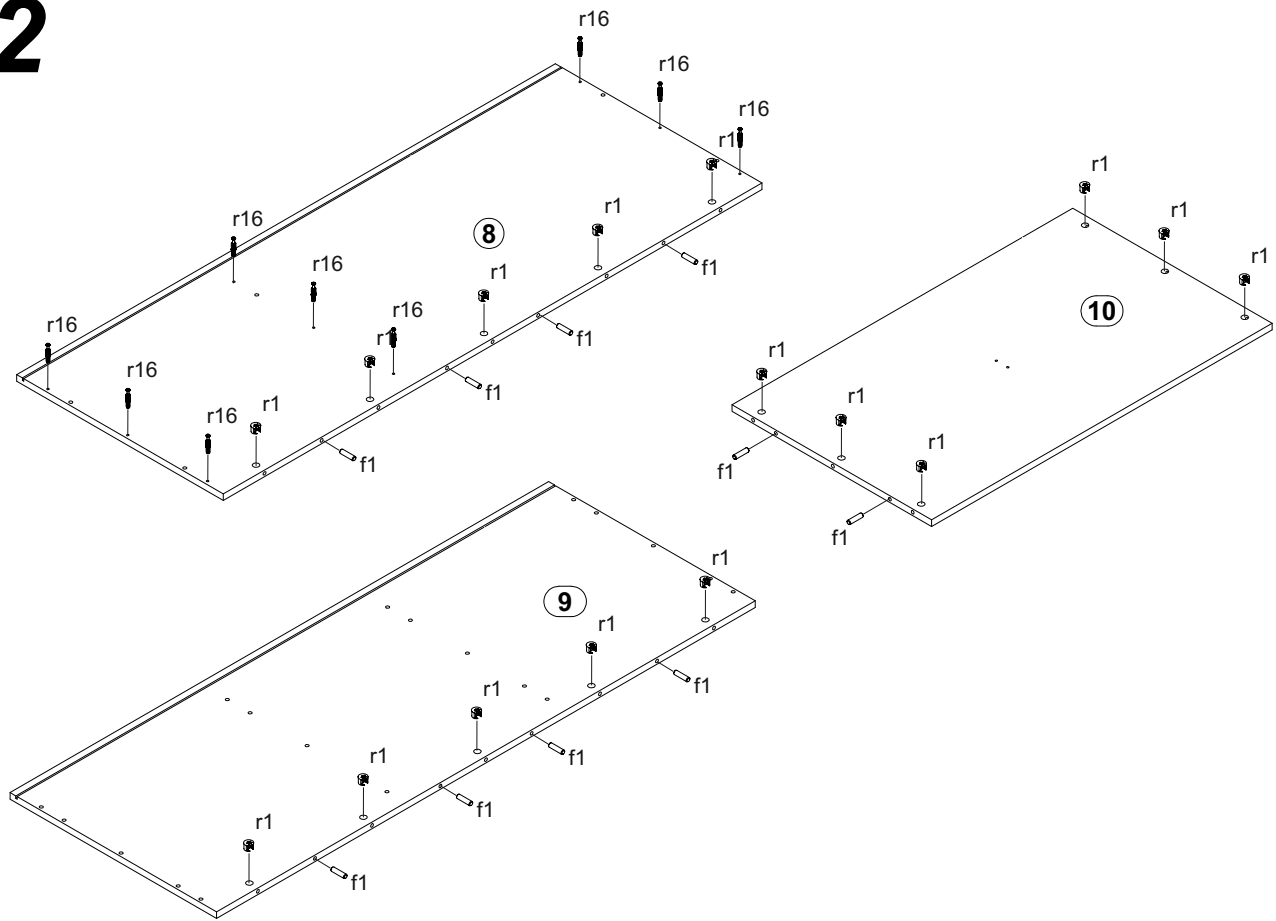


8x a56	8x b6	3x a67	3x b9	20x d1 x17 mm	20x e1 7x50 mm	14x e3 Ø6x13m	6x e2 x13 mm	54x f1 x30 mm
6x k55 60x60x25 mm	24x l1	30x l2	2x n26	8x p1 x13 mm	2x p38 x16 mm	12x p140 x12 mm	16x p51 x15 mm	2x p17 x60 mm
10x p55 x16 mm	12x p6 x35 mm	65x r1 x12mm	4x r10	51x r16 20/9	50x s2 16	10x n108 20x13x3,5,1mm	1x z1	2шт. n1
2x f35 x50 mm	1x qb18	3x r28 36/20 mm	2x f6 x50 mm	4x w209/1	4x w209/2	4x f412.050	8x p9 f4x30 mm	10x o21 x1,8mm silikon

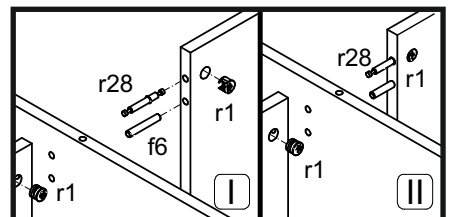
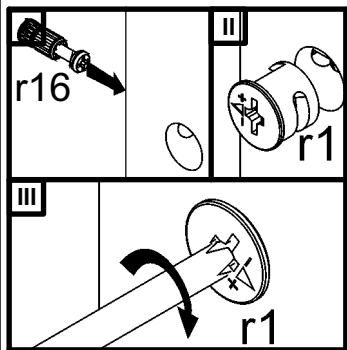
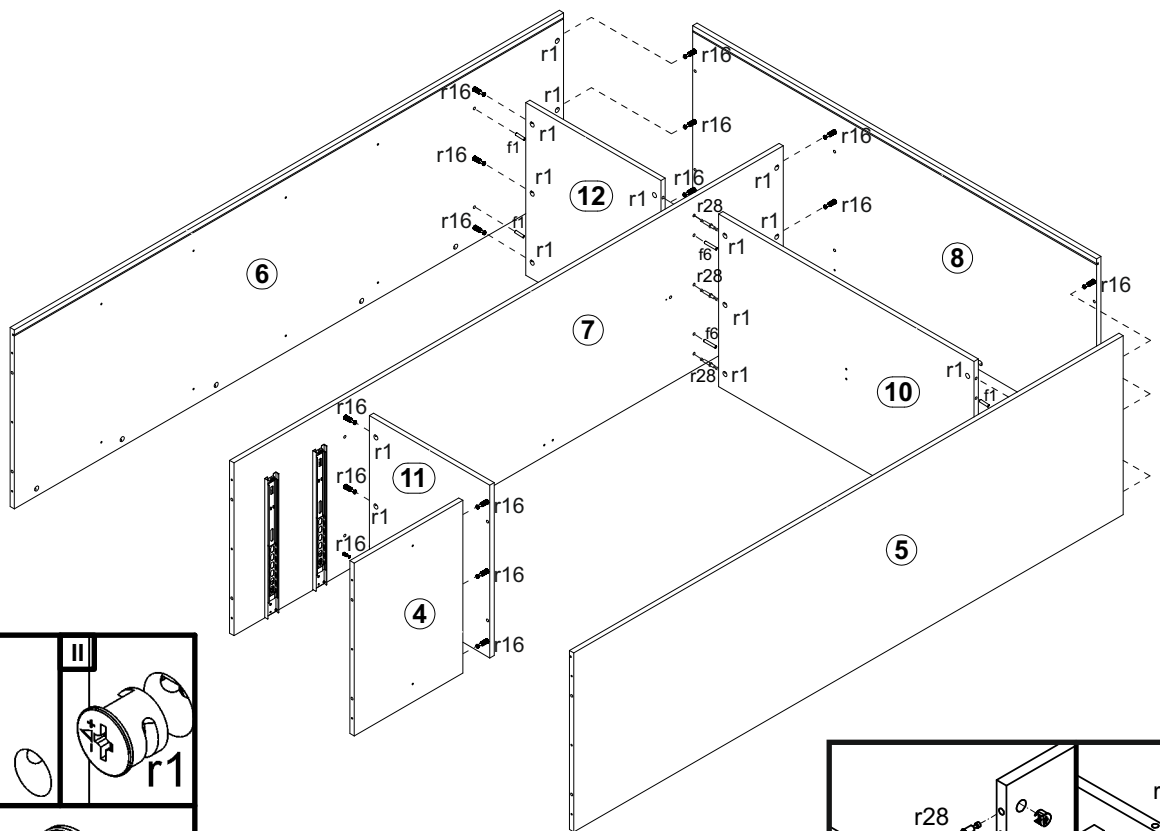
1 §2



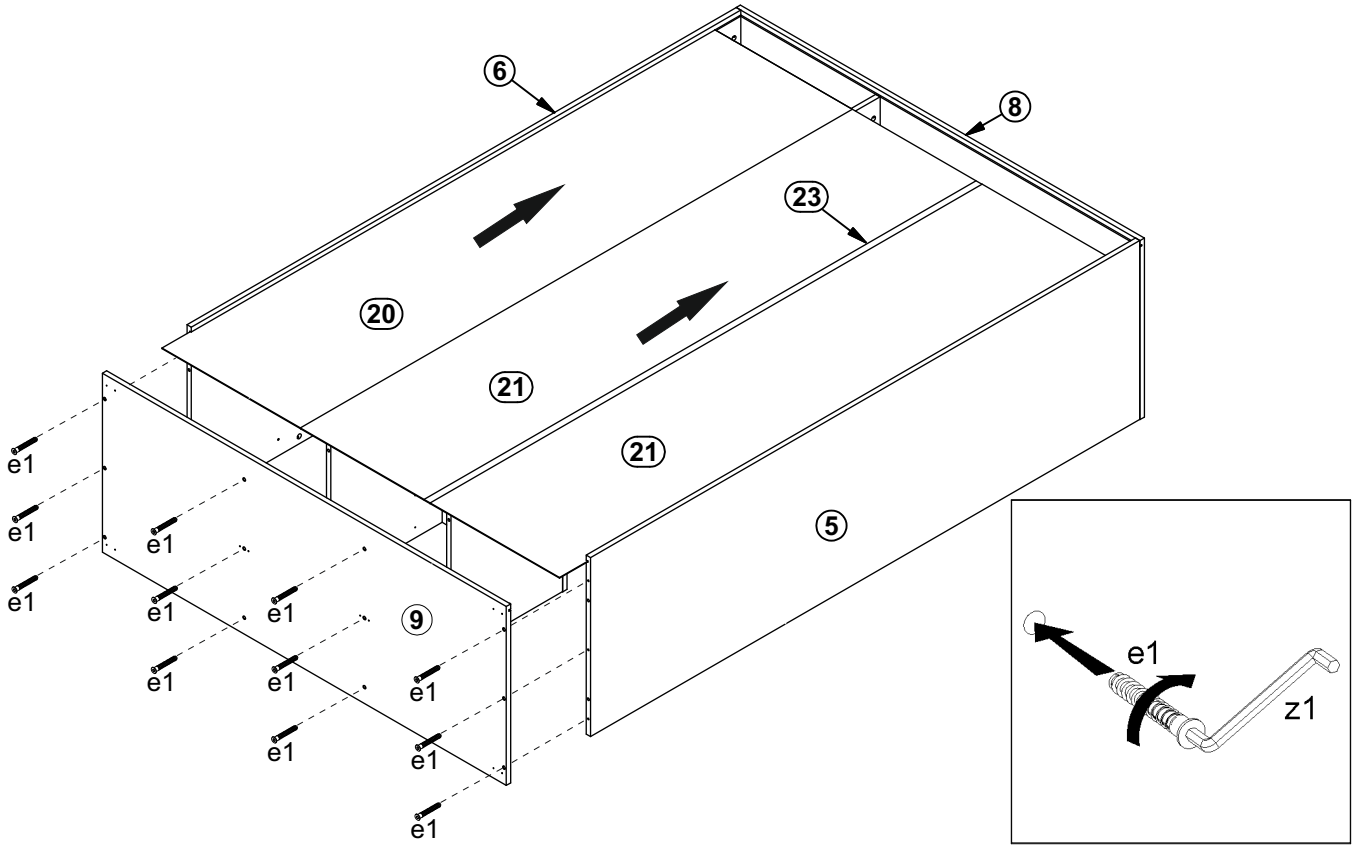
2



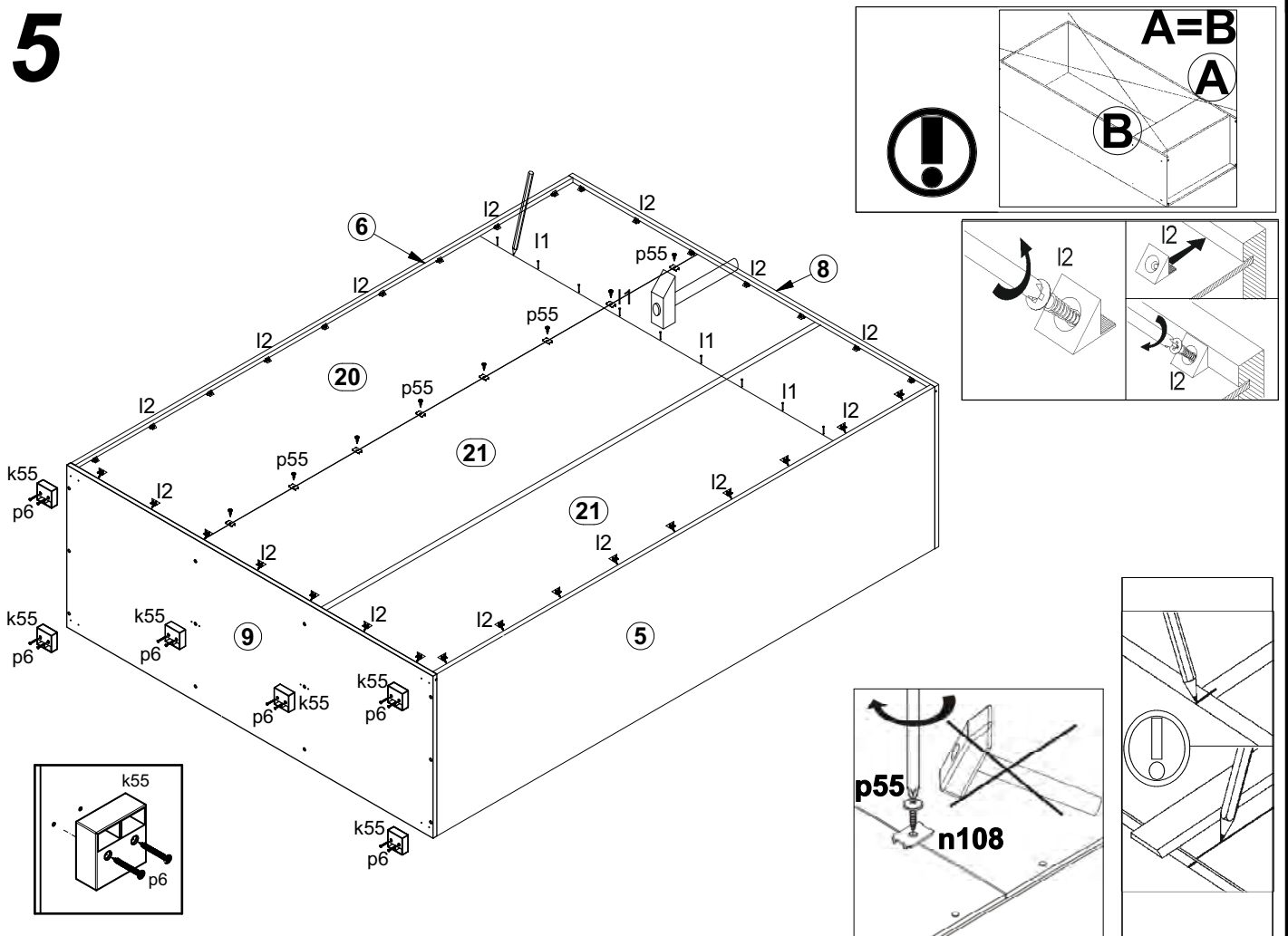
3



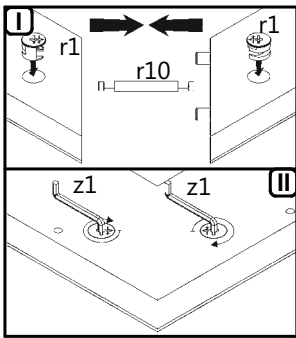
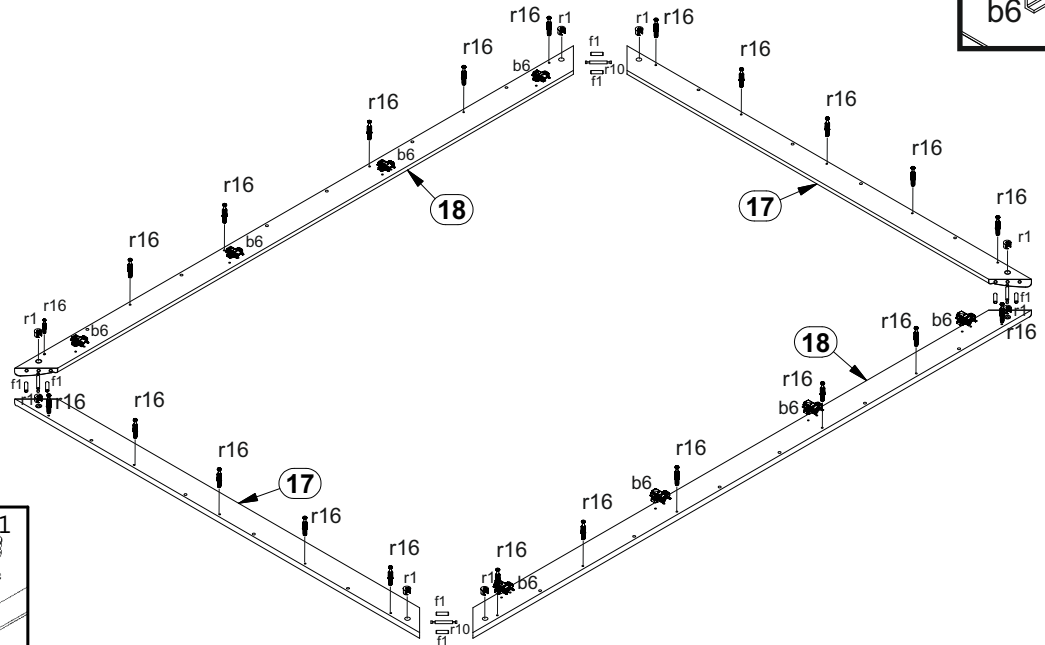
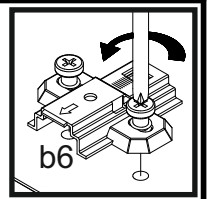
4



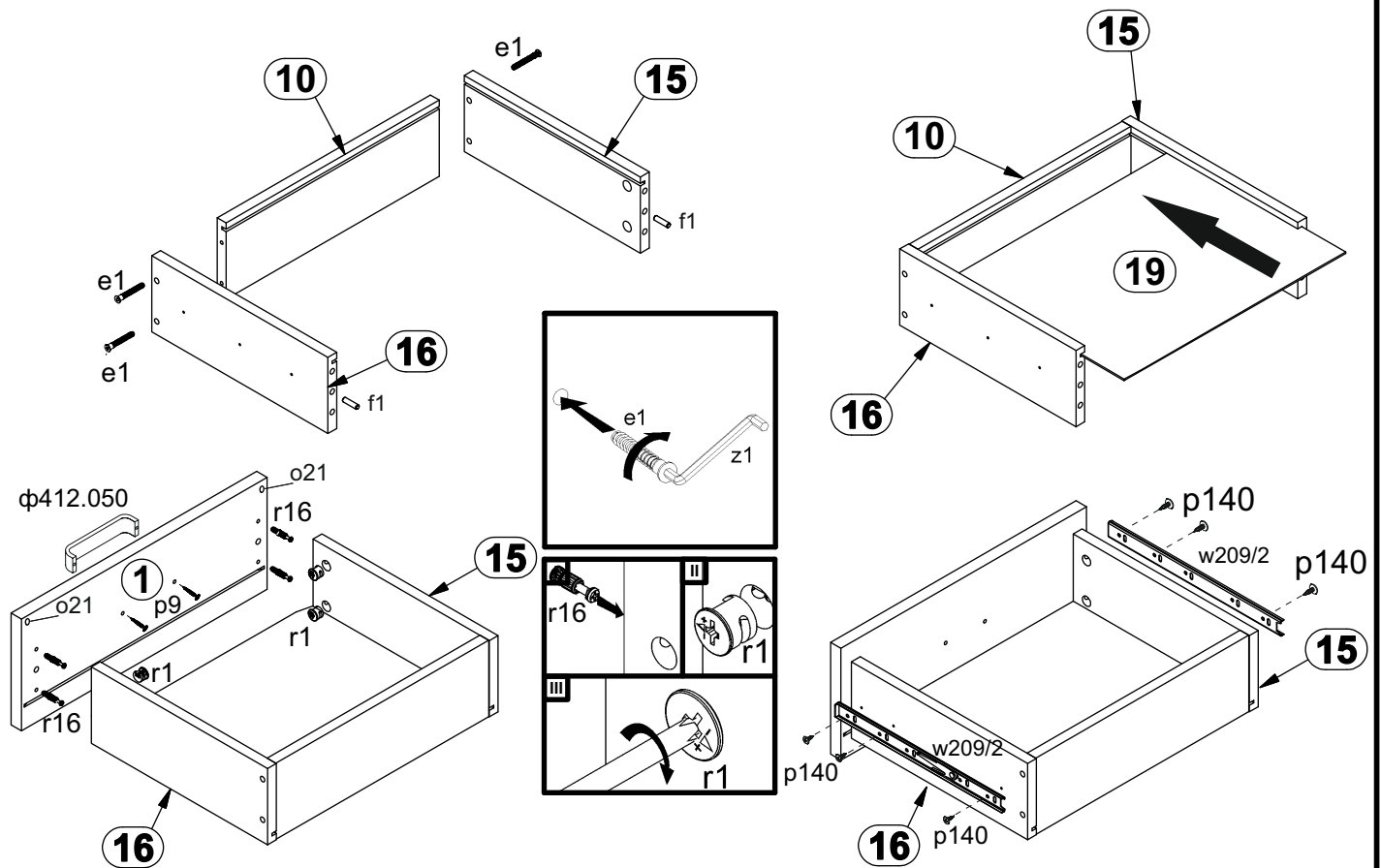
5



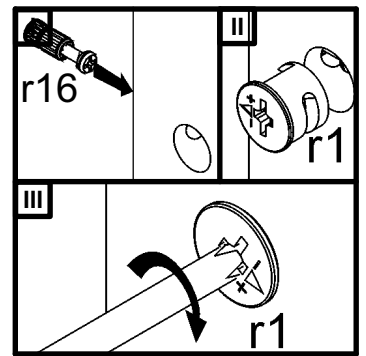
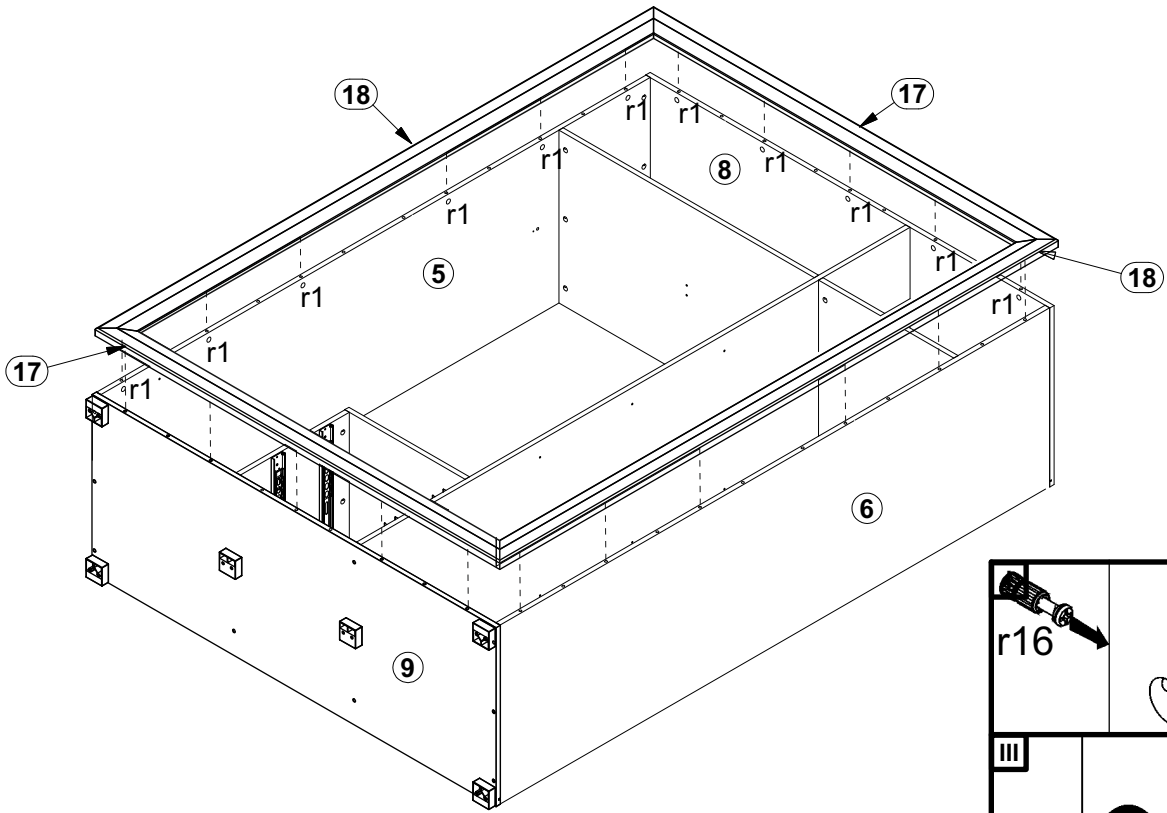
6



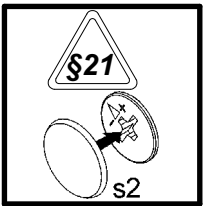
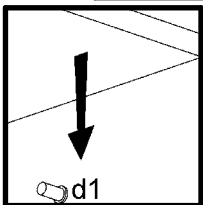
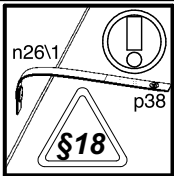
7



8



9



φ412.050

