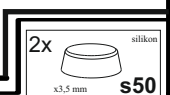
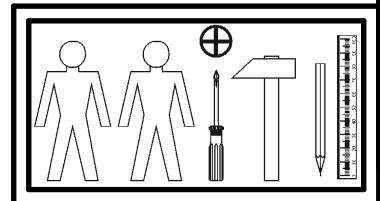
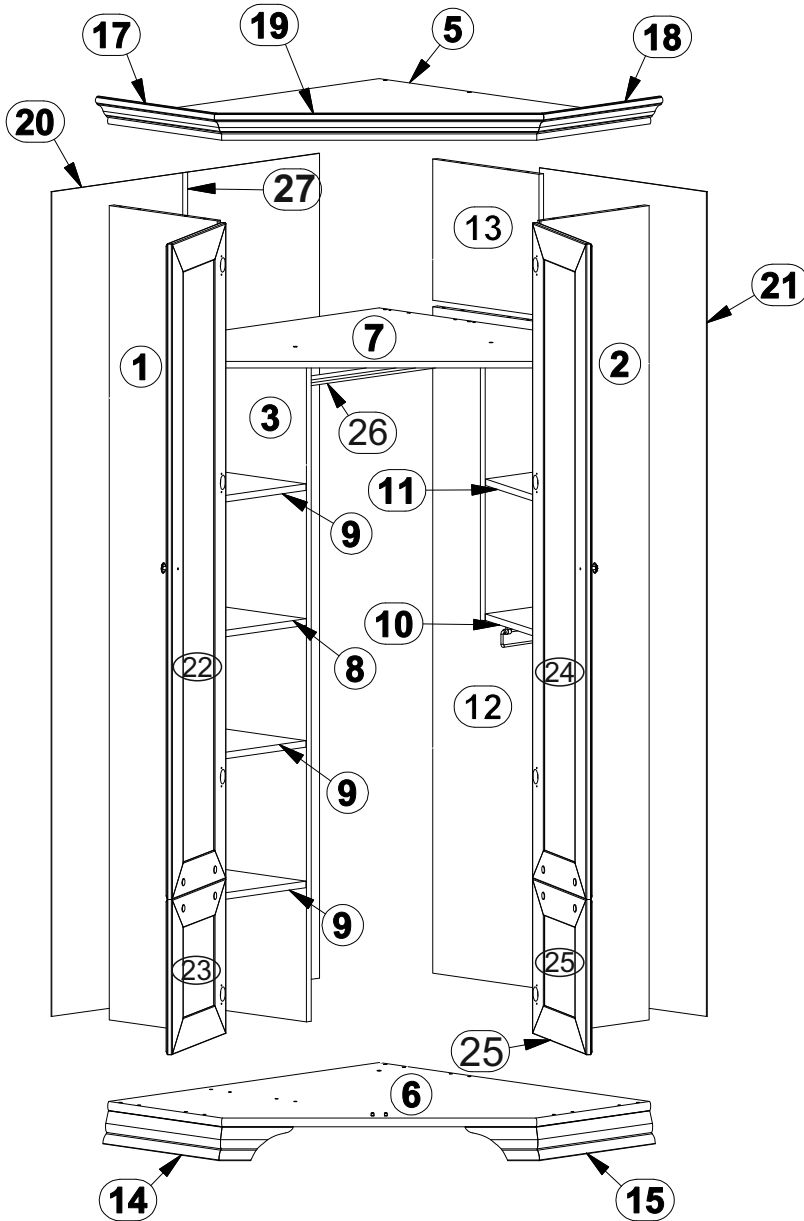
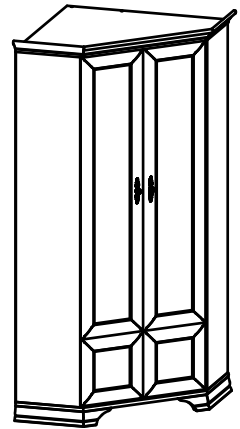


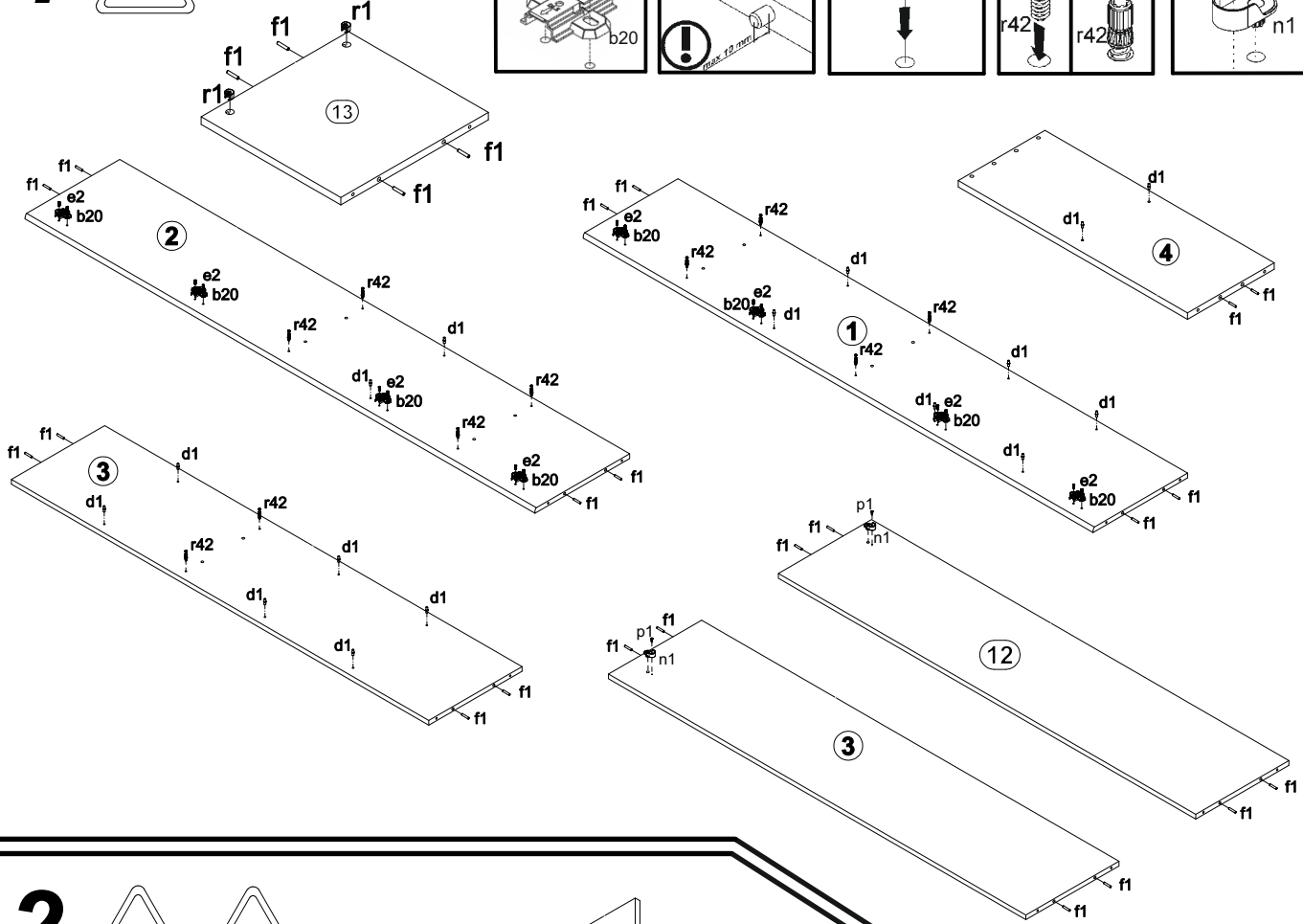
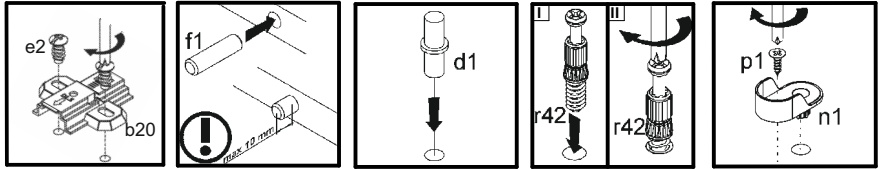
# S320-SZFN2D

A	B	C		D	A	B	C		D
1	S320-164N	2077	370	1/6	14	S320-546	511	154	4/6
2	S320-166N	2077	370	1/6	15	S320-547	511	154	4/6
3	S320-165	1631	364	1/6	16	S320-575	80	38	3/6
4	S320-167	661	250	1/6	17	S320-1502	407	80	3/6
5	S320-256	930	930	2/6	18	S320-1503	407	80	3/6
6	S320-257	930	930	2/6	19	S320-594	798	80	3/6
7	S320-334	908	908	2/6	20	S320-938N	2103	458	6/6
8	S320-335	295	364	2/6	21	S320-939N	2103	572	6/6
9	S320-336	294	363	2/6	22	S320-0044N	1689	380	5/6
10	S320-337	295	364	2/6	23	S320-0043	380	380	5/6
11	S320-338	294	363	2/6	24	S320-0047N	1689	380	5/6
12	S320-168	1631	364	1/6	25	S320-0046	380	380	5/6
13	S320-169N	430	364	1/6	26	dr-573	573	22	1/6
					27	Lh-2071	1986	14	6/6

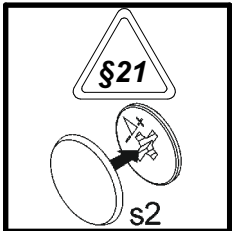
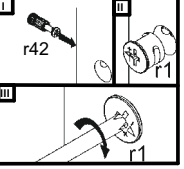
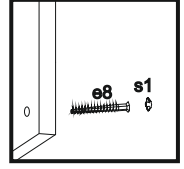
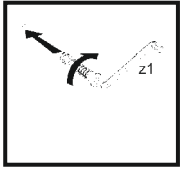
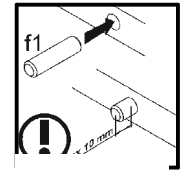
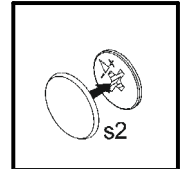
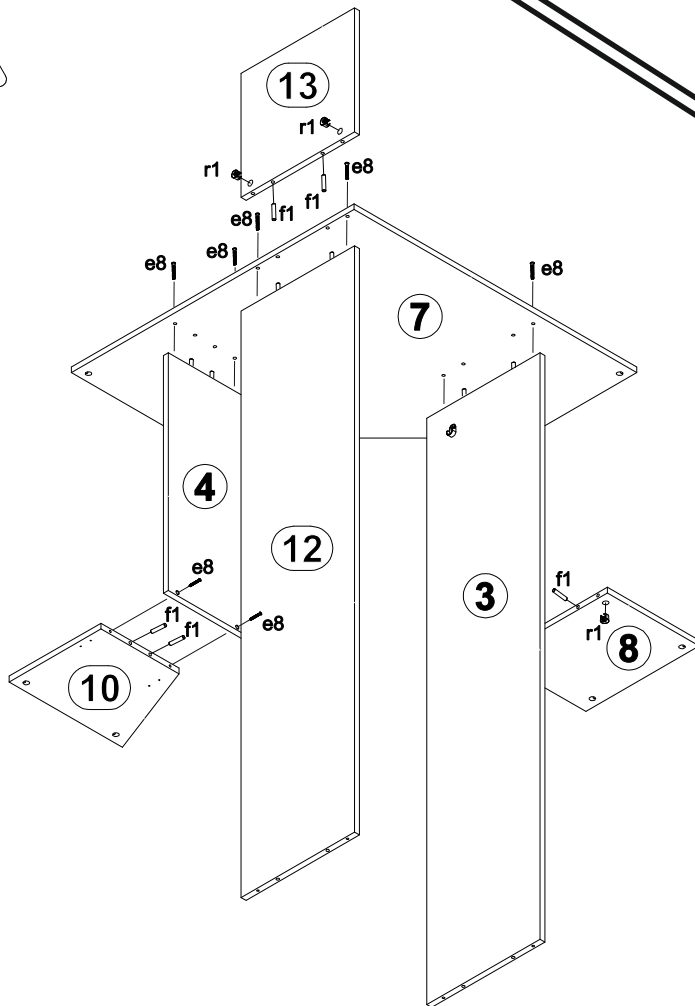
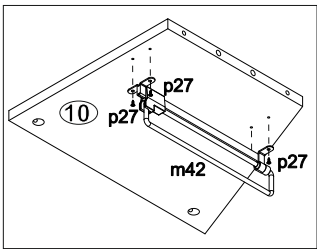


8x  a49	8x  b20	2x  c351	2x  c3512	16x  d1	23x  e8	4x  p27	2x  p1	1шт.  f35	1шт.  p17
34x  f1	2x  j6	12x  r42	130x  l1	4x  e26	16x  p51	4x  p46	6x  p8	2x  d4	2x  n48
20x  r1	18x  s2	7x  s1	1x  z1	1x  n2611	11x  p38	4x  r10	4x  f6	1x  m42	2x  n1

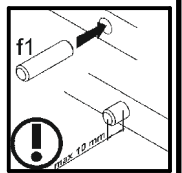
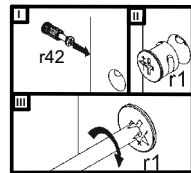
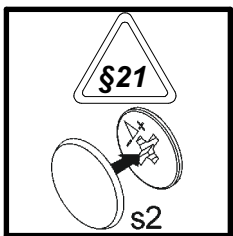
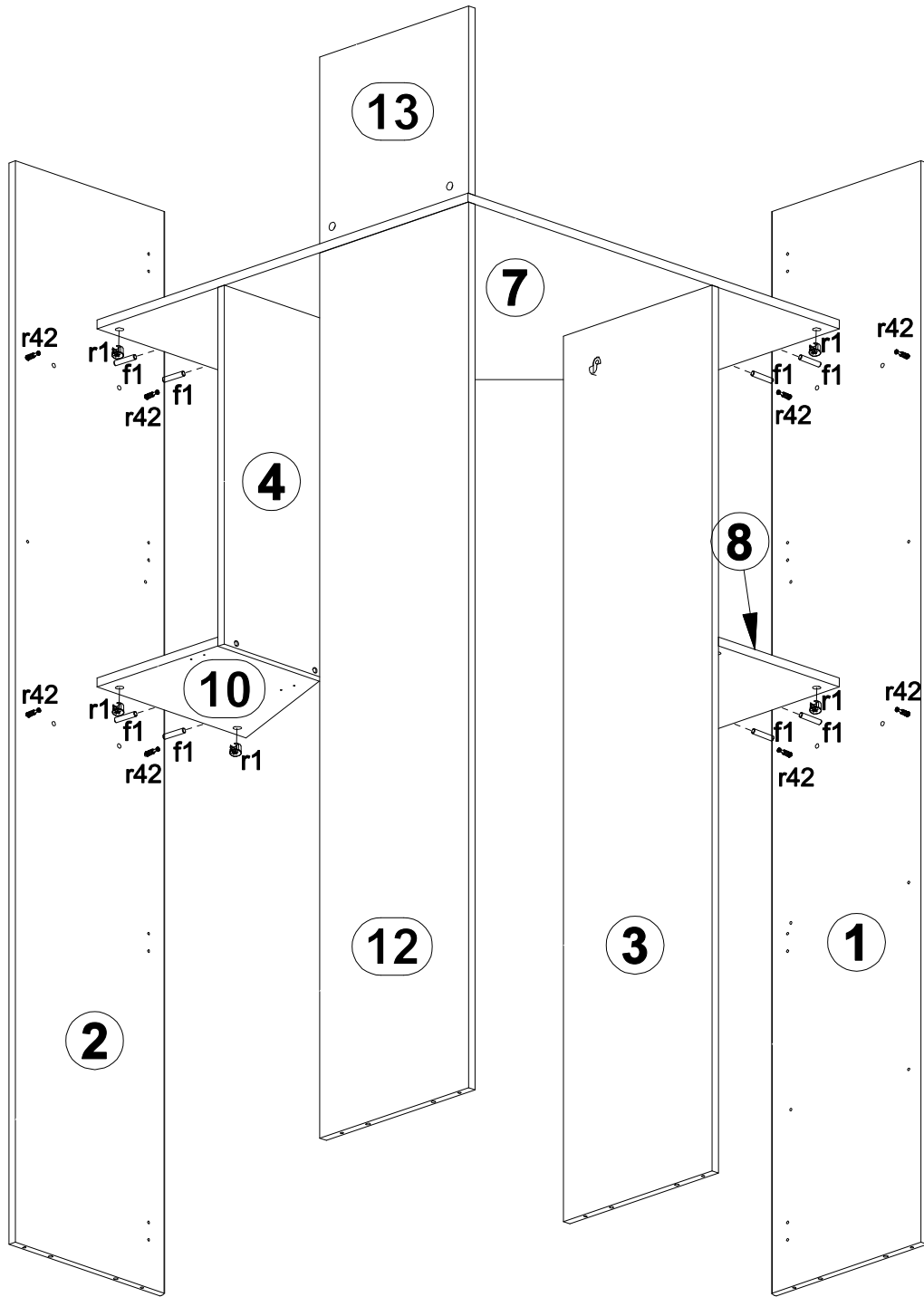
# 1



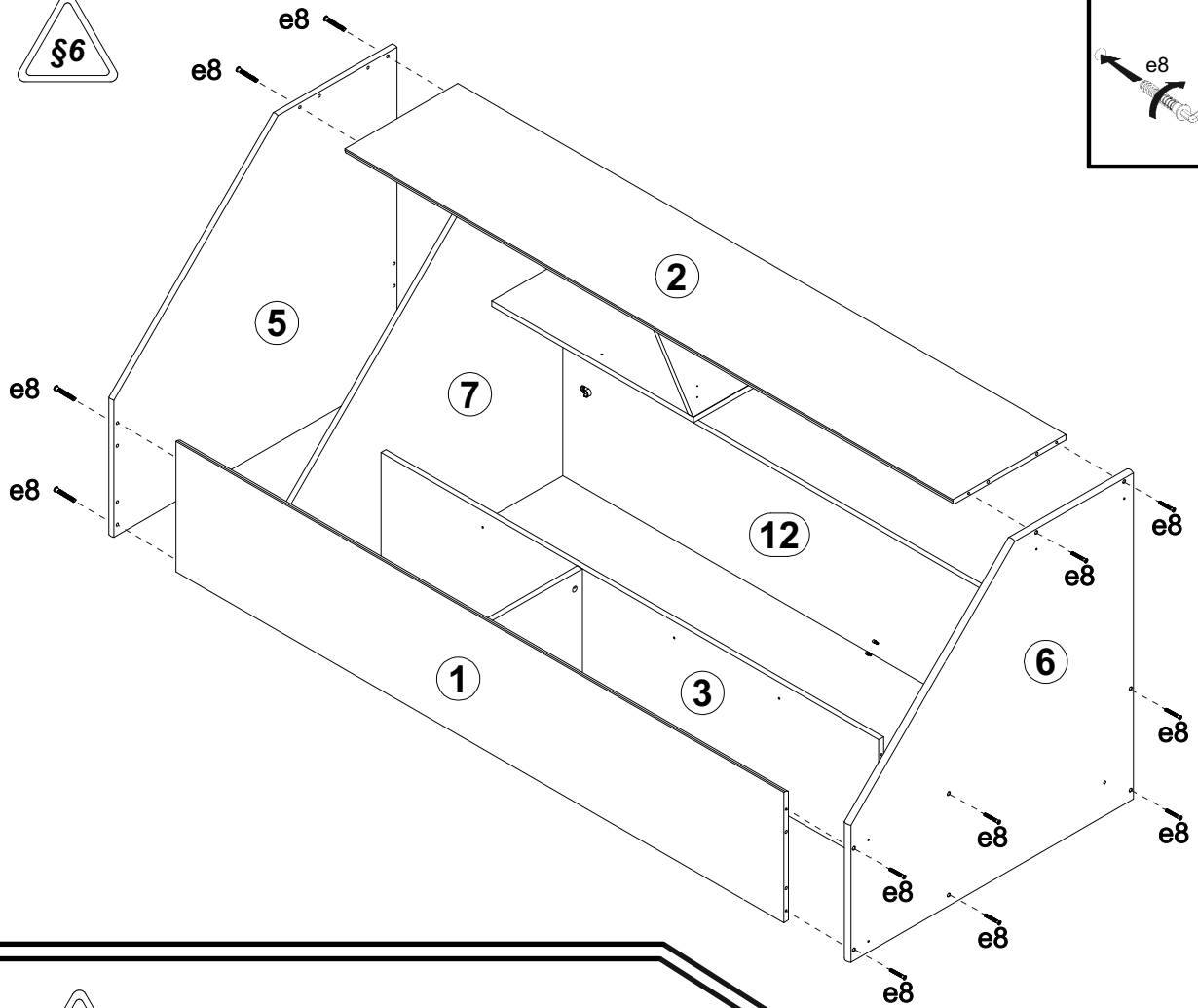
# 2



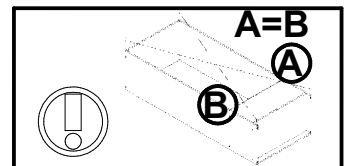
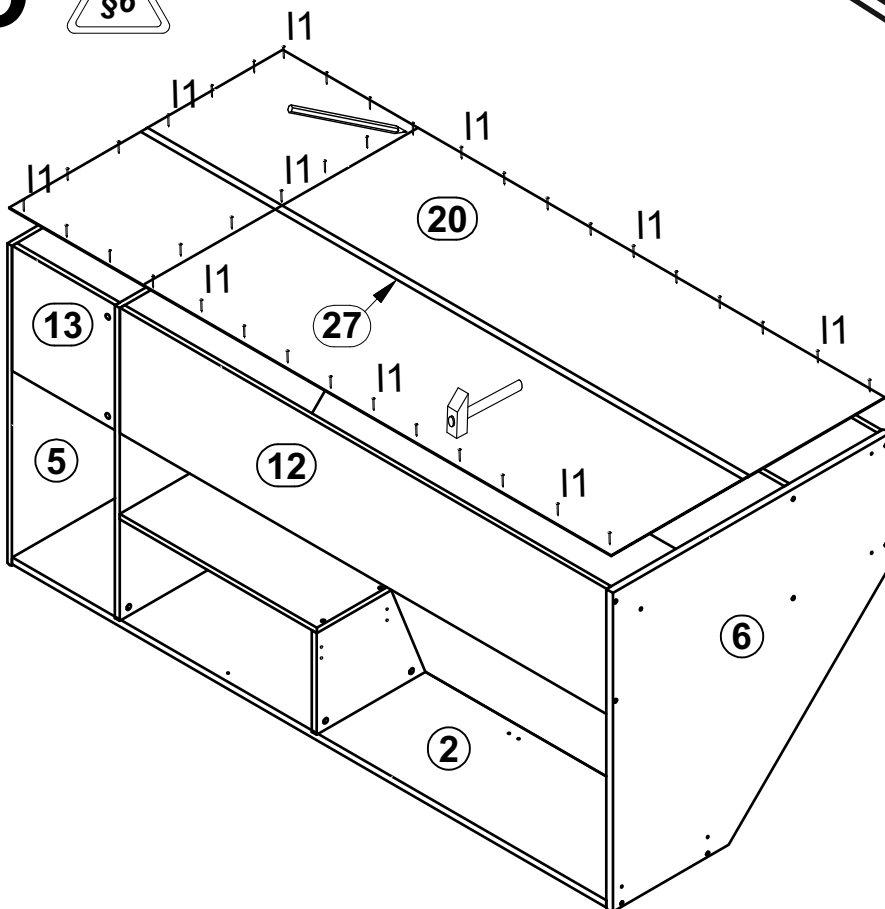
# 3



# 4



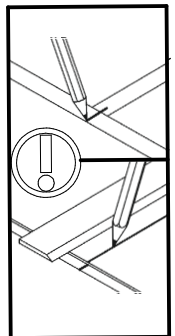
# 5



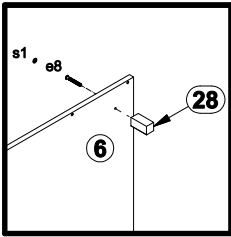
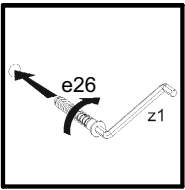
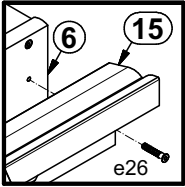
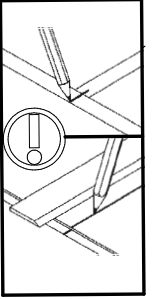
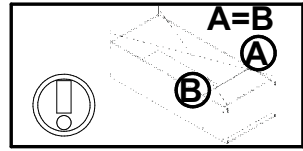
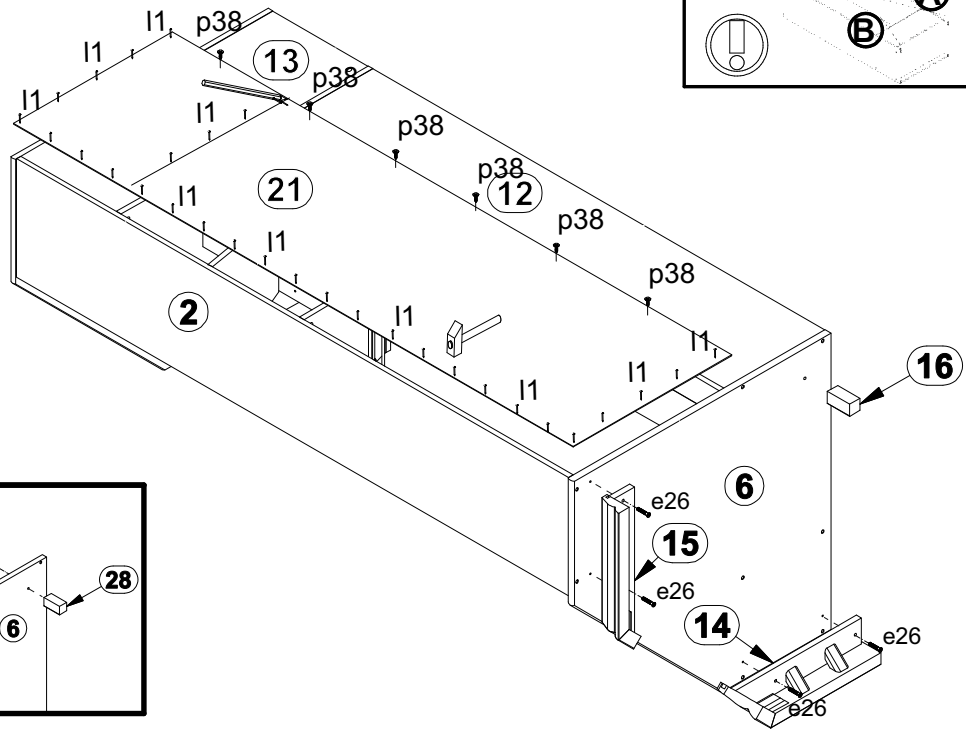
A=B

(A)

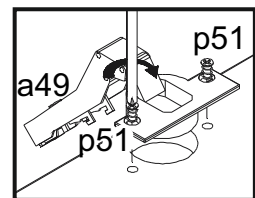
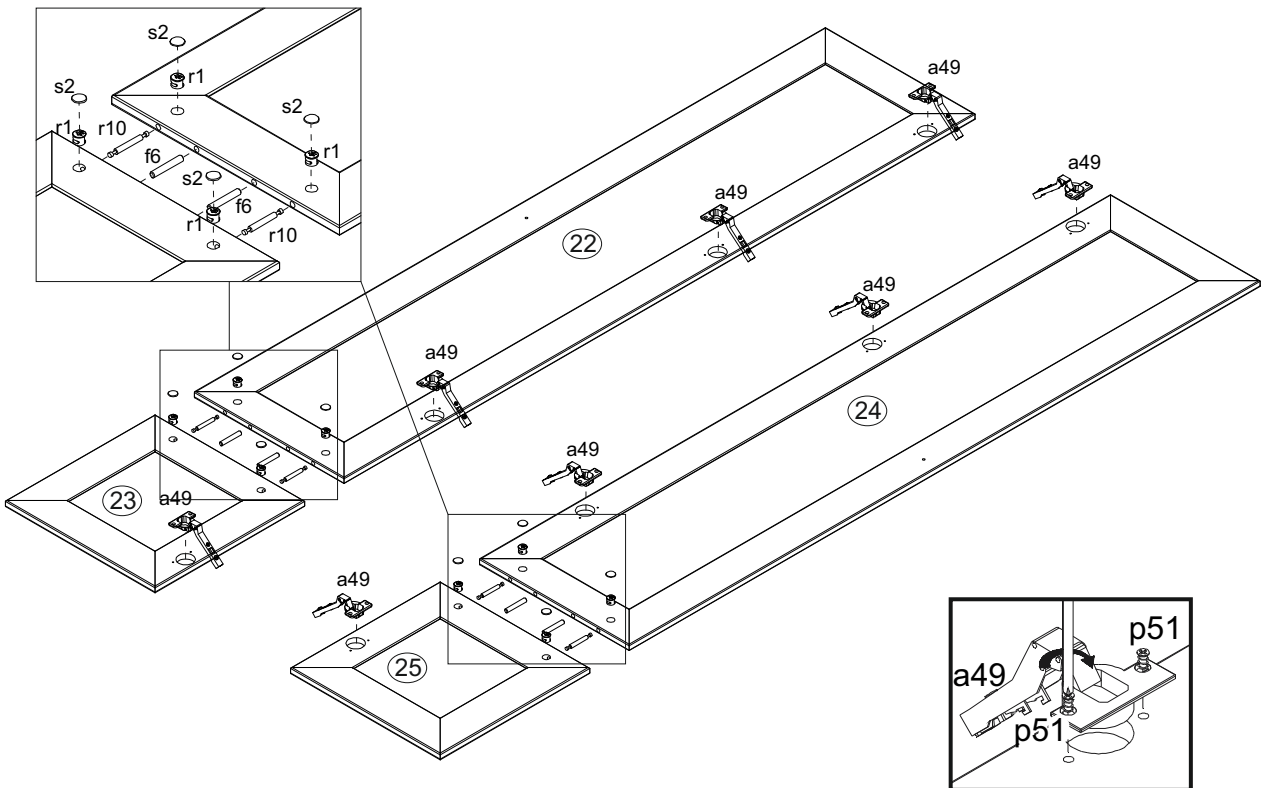
(B)



# 6



# 7



# 8

