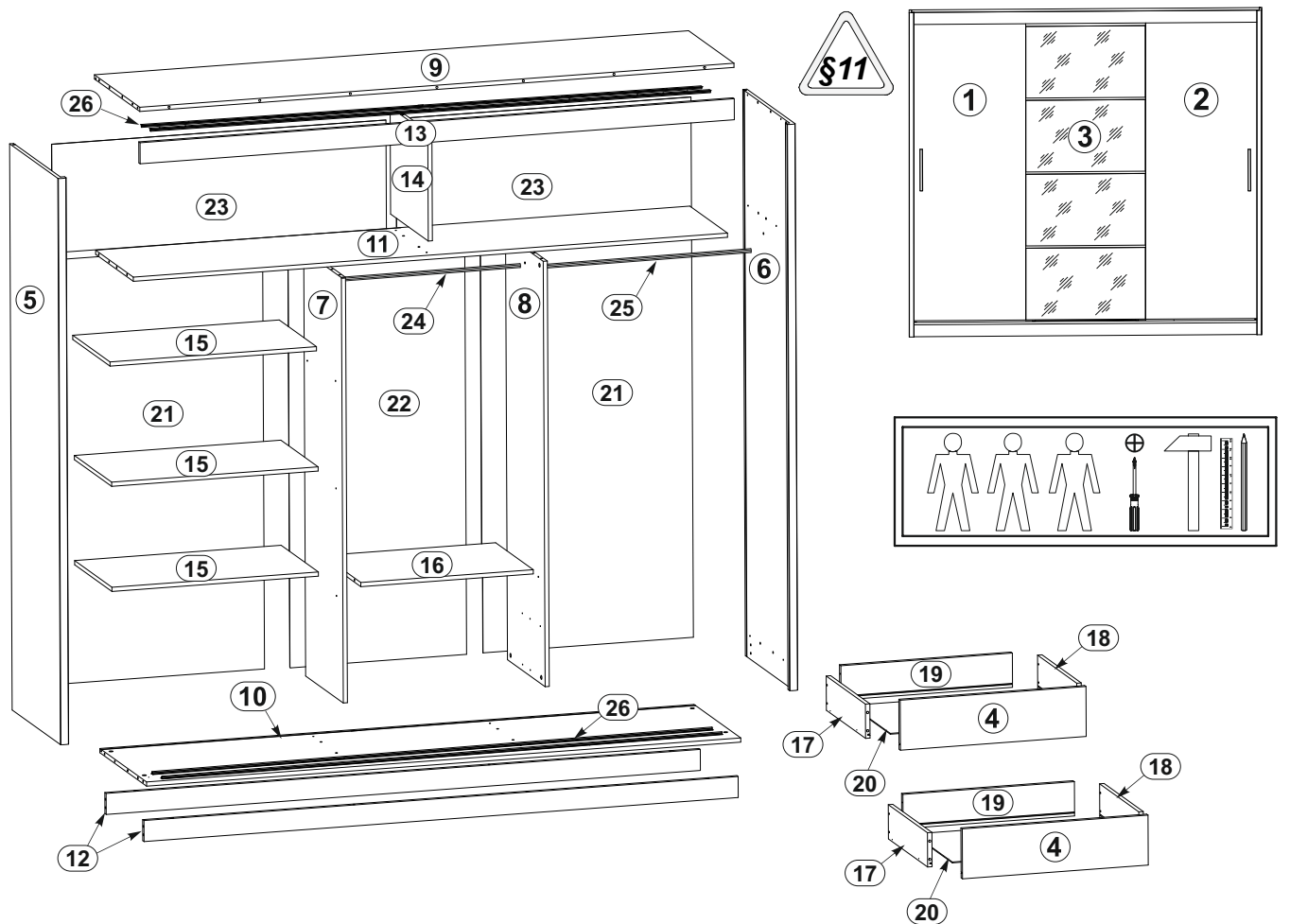
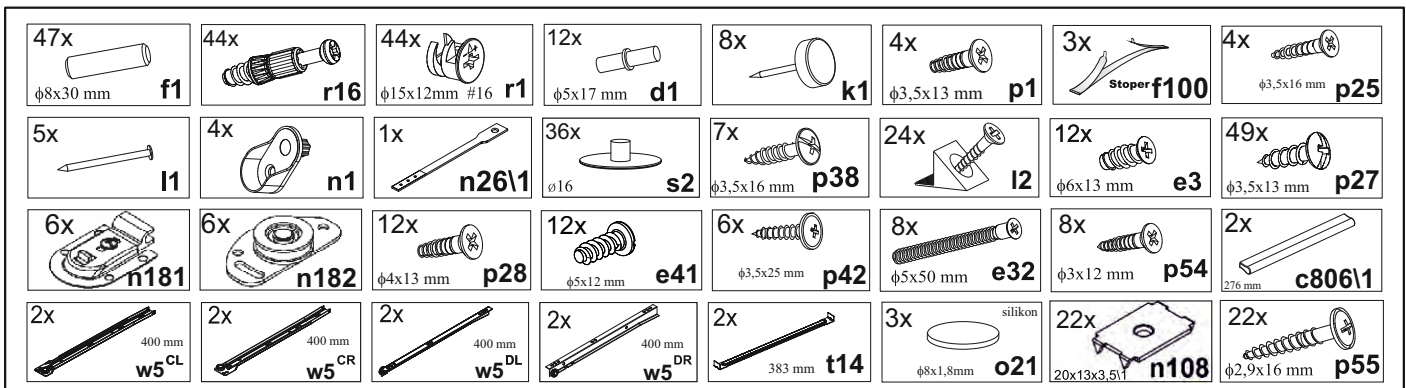


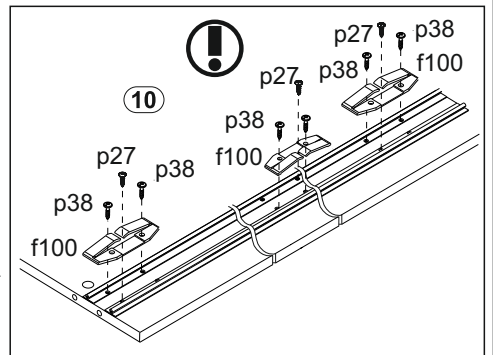
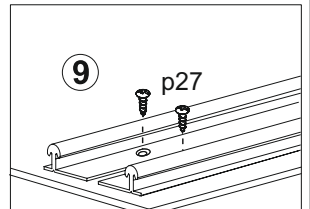
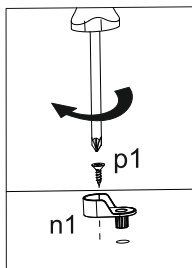
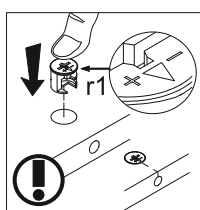
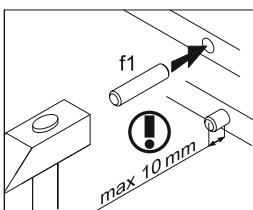
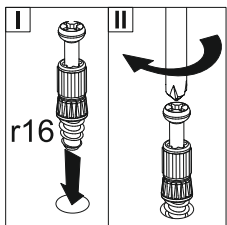
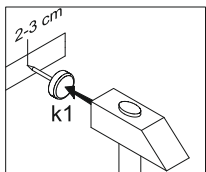
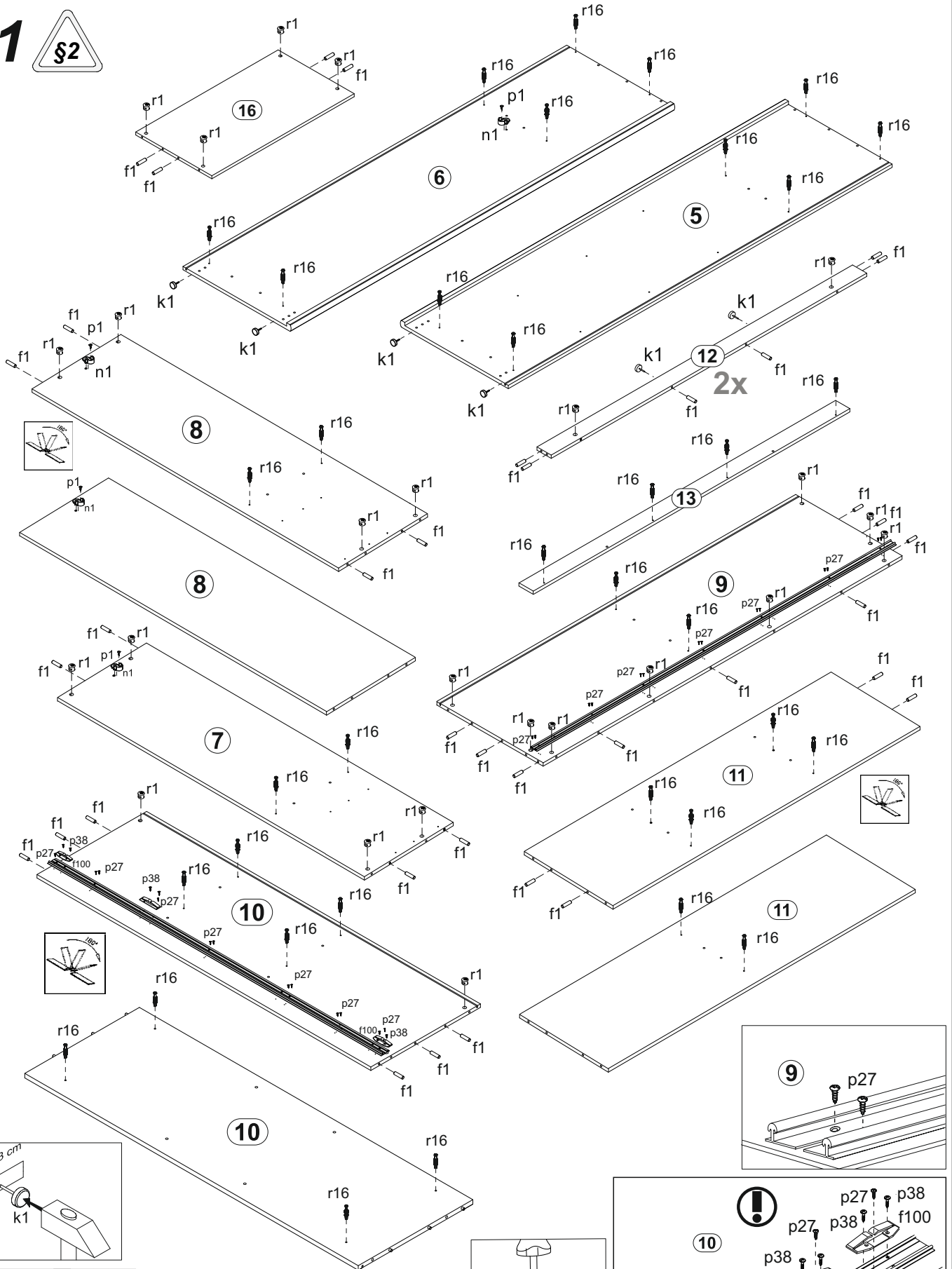
Mario - 200

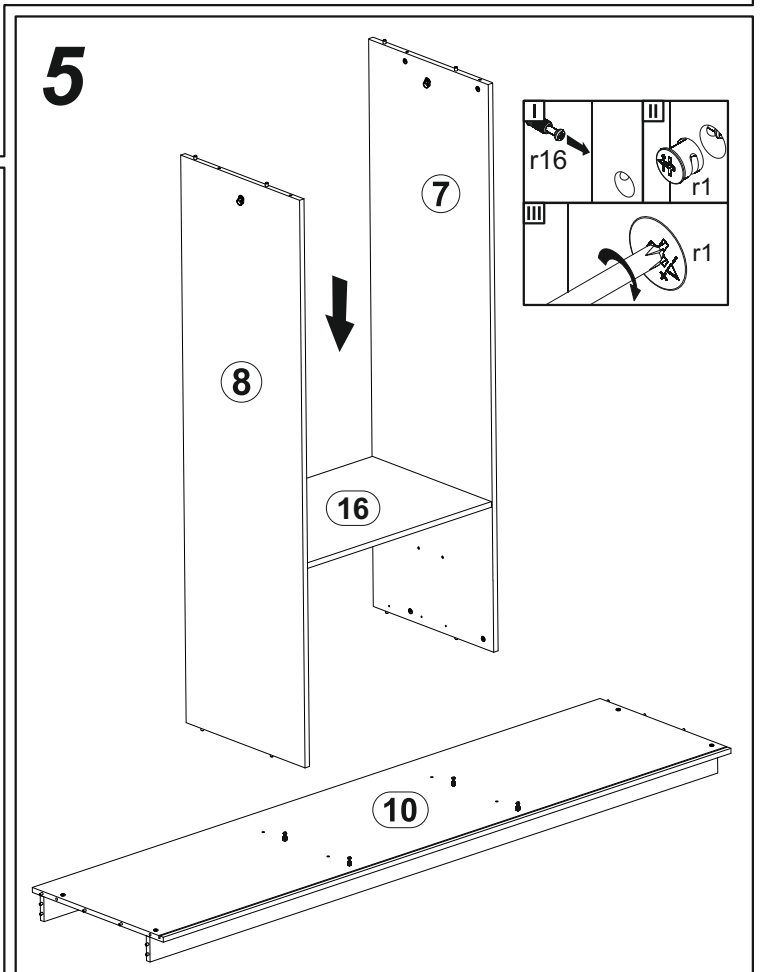
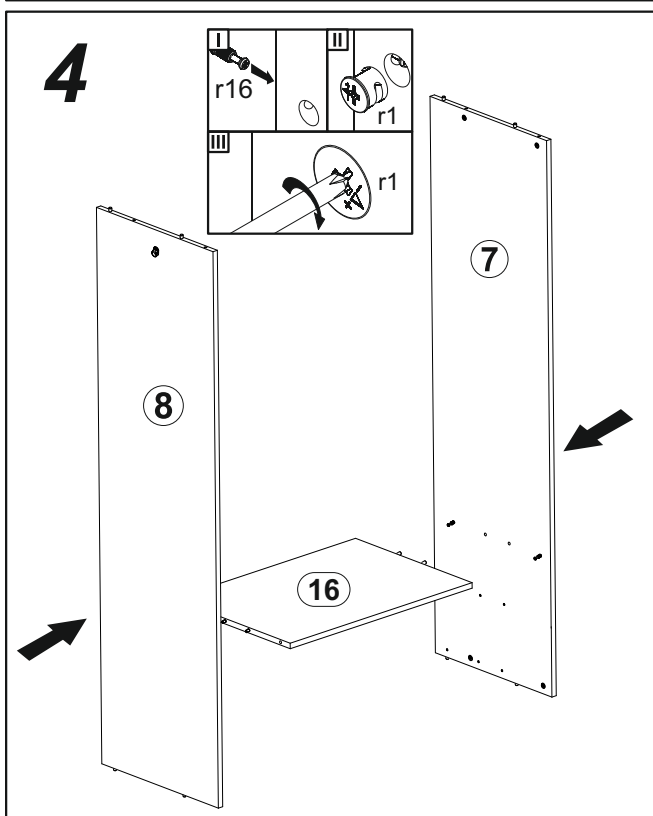
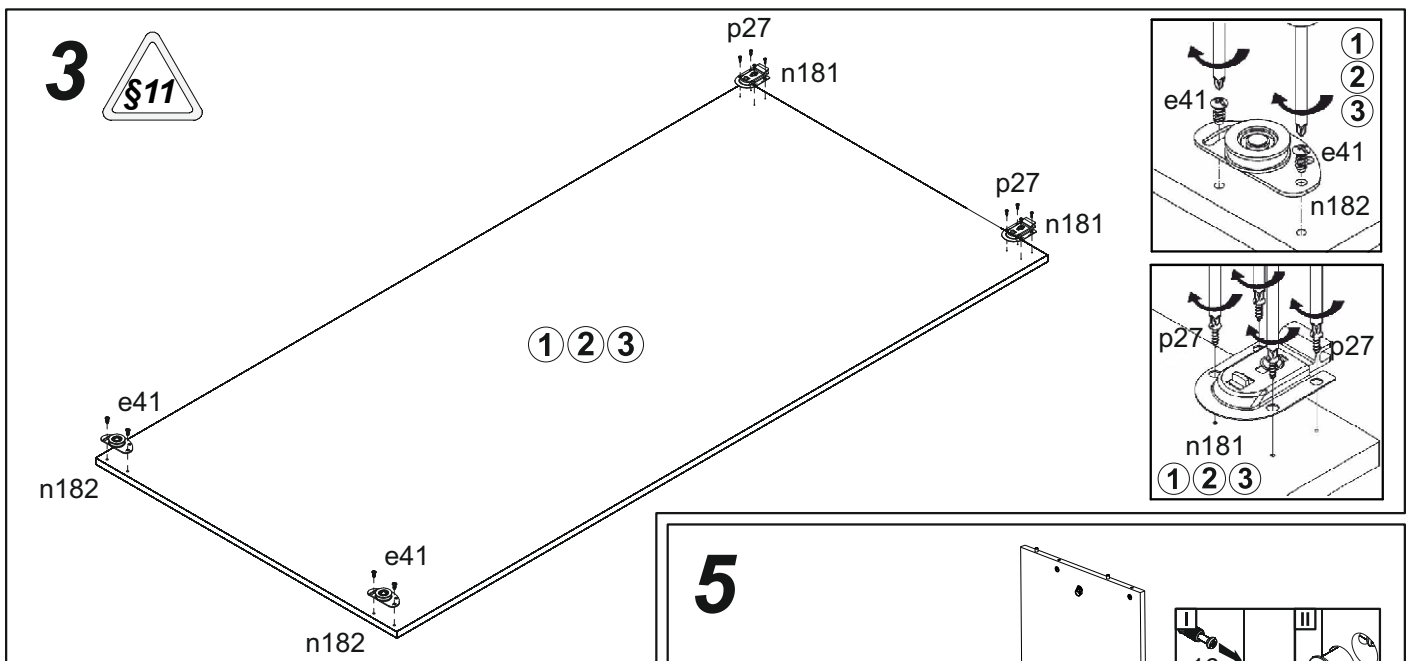
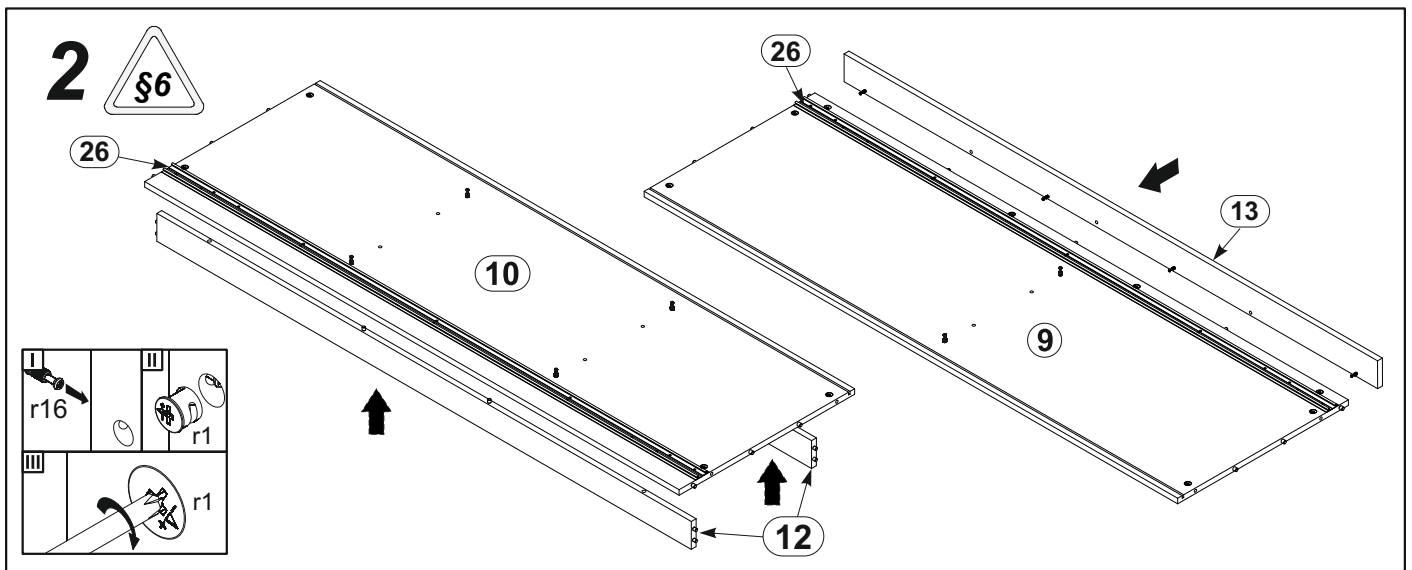


A	B	C	D	A	B	C	D		
1	KR1-030	2029	683	4/5	14	KR1-108	407	460	3/5
2	KR1-031	2029	683	4/5	15	KR1-333	689	455	3/5
3	KR1-028	2029	683	5/5	16	KR1-335	556	460	3/5
4	KR1-032	550	175	3/5	17	KR1-503	400	120	3/5
5	KR1-110	2155	608	1/5	18	KR1-504	400	120	3/5
6	KR1-111	2155	608	1/5	19	KR1-518	499	120	3/5
7	KR1-107	1619	460	1/5	20	KR1-913	399	514	3/5
8	KR1-109	1619	460	1/5	21	KR1-911	1634	704	5/5
9	KR1-331	1968	566	2/5	22	KR1-912	1634	572	5/5
10	KR1-330	1968	583	2/5	23	KR1-919	422	990	5/5
11	KR1-332	1968	460	2/5	24	DR-551	551		1/5
12	KR1-413	1968	80	2/5	25	DR-685	685		1/5
13	KR1-414	1968	80	2/5	26		1967		2/5

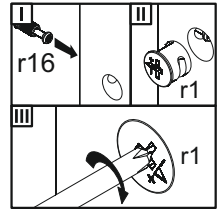
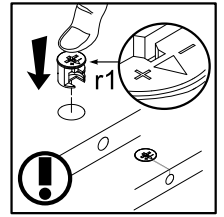
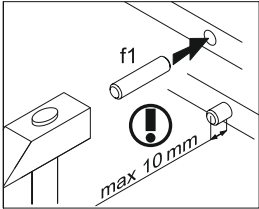
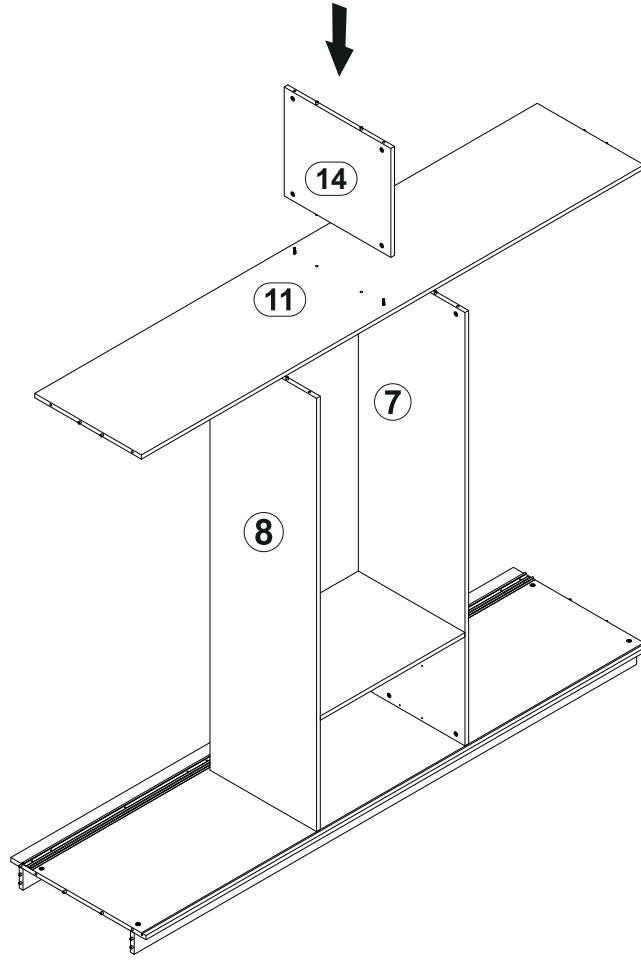
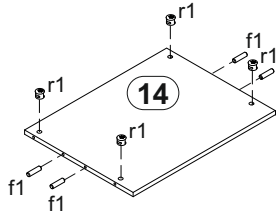


1

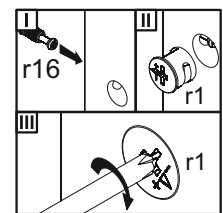
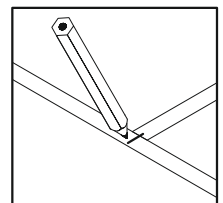
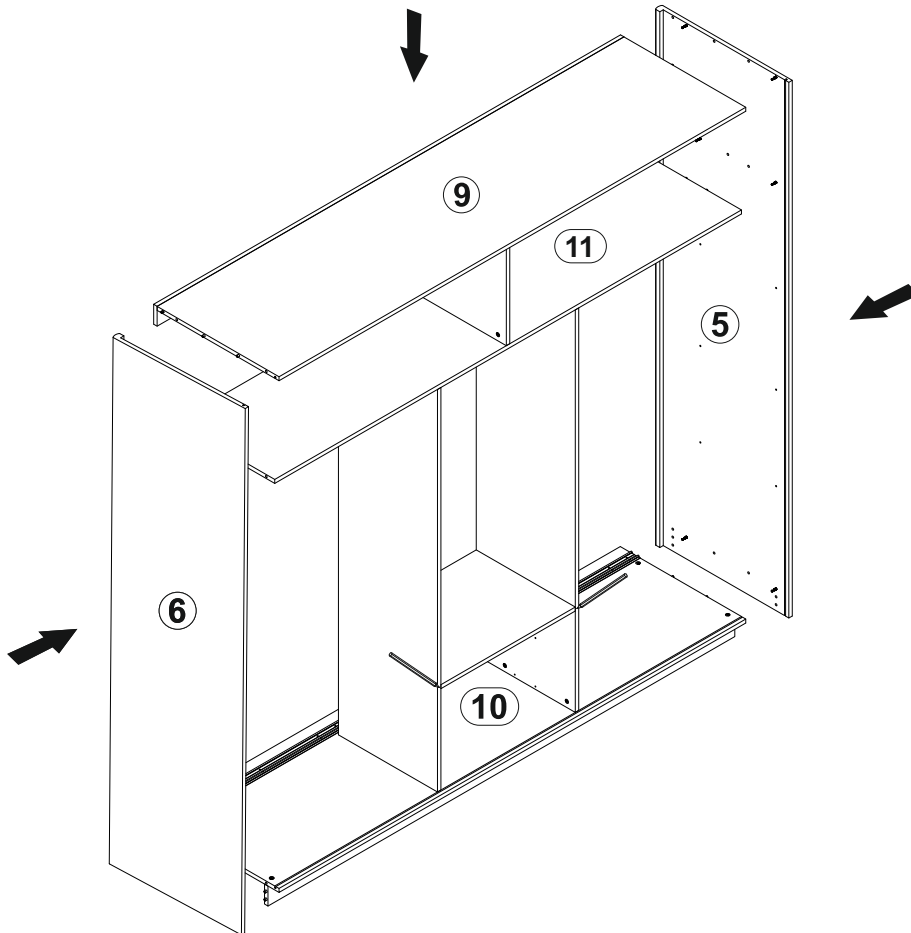




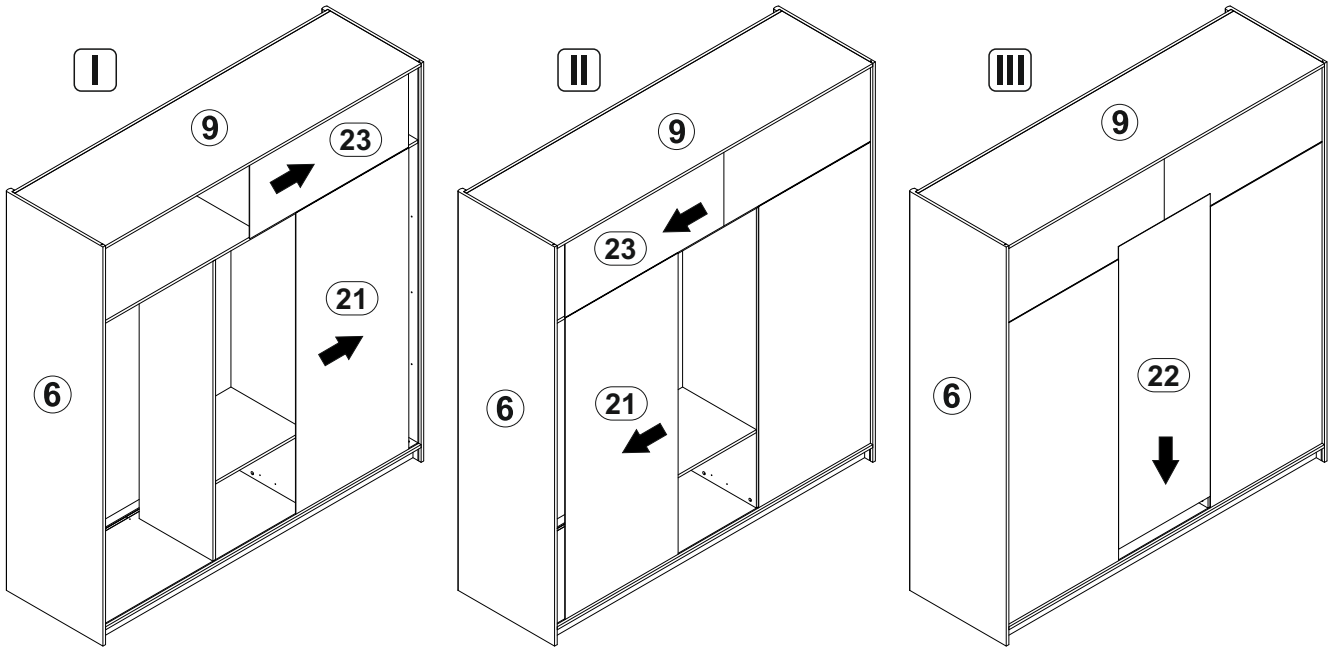
6



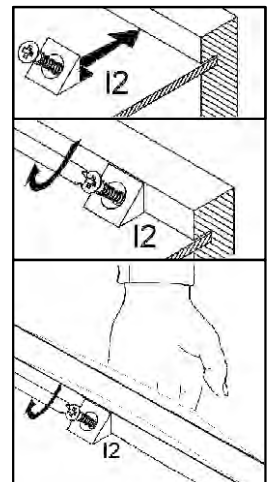
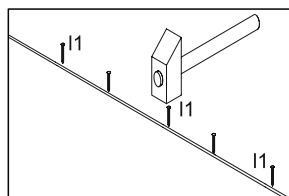
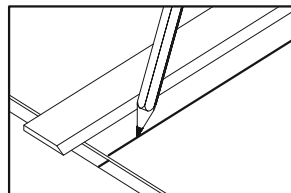
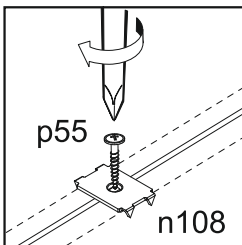
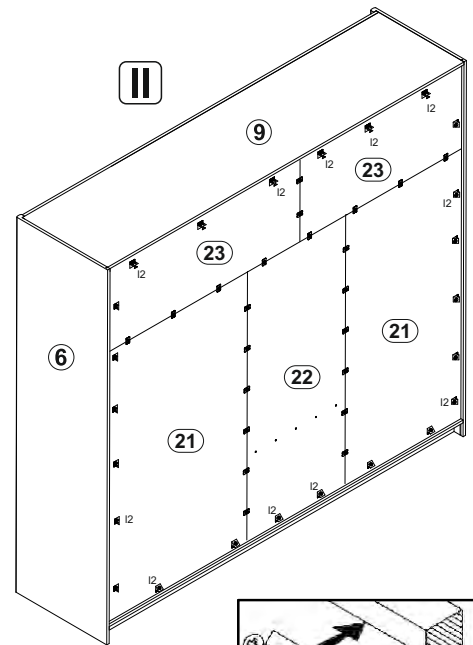
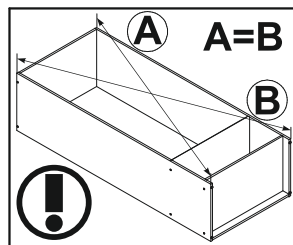
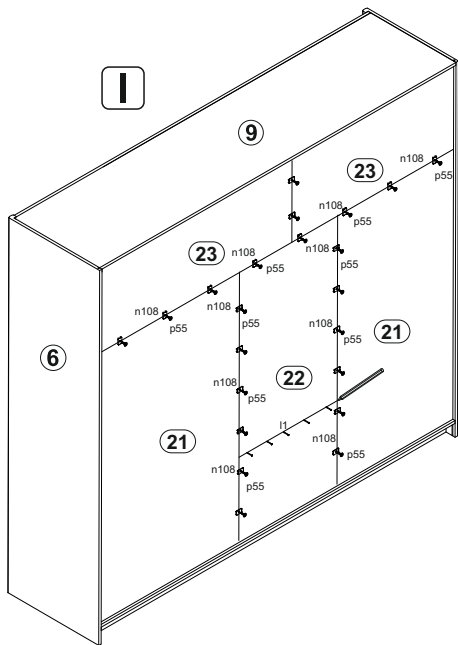
7



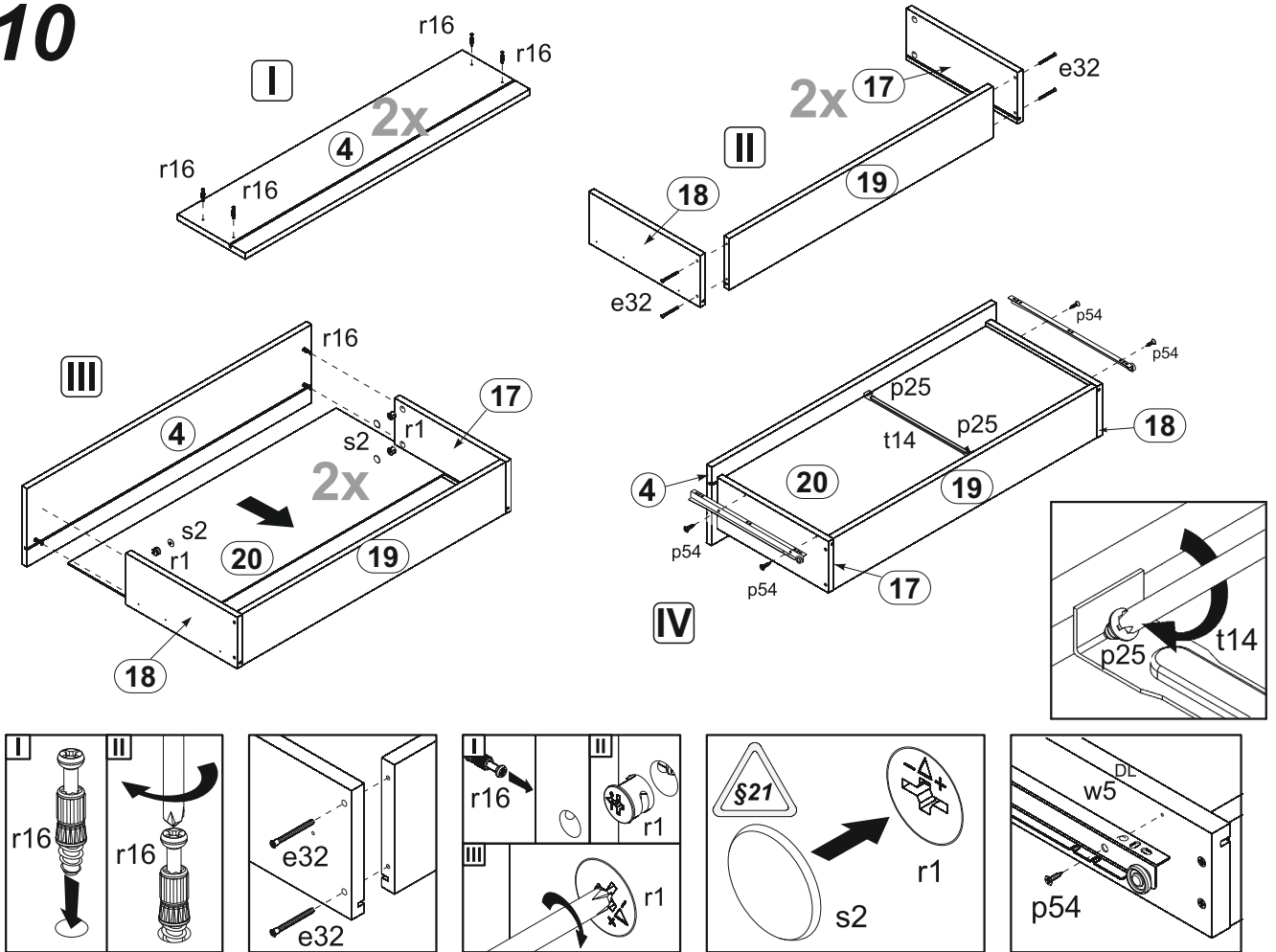
8



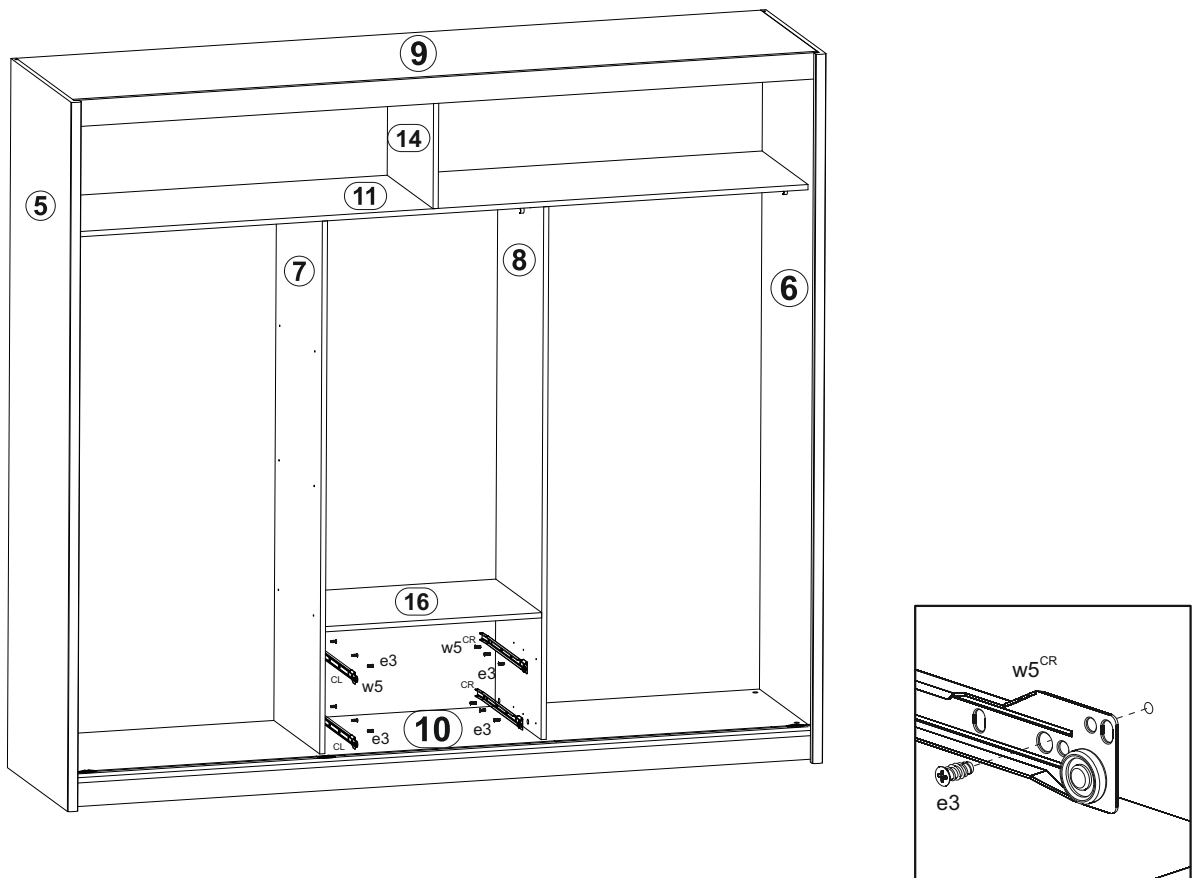
9



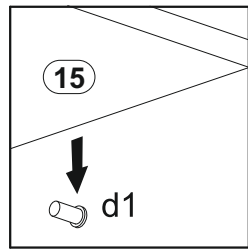
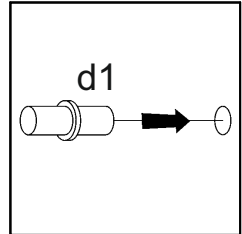
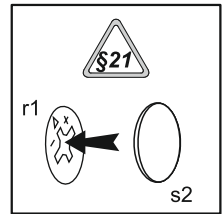
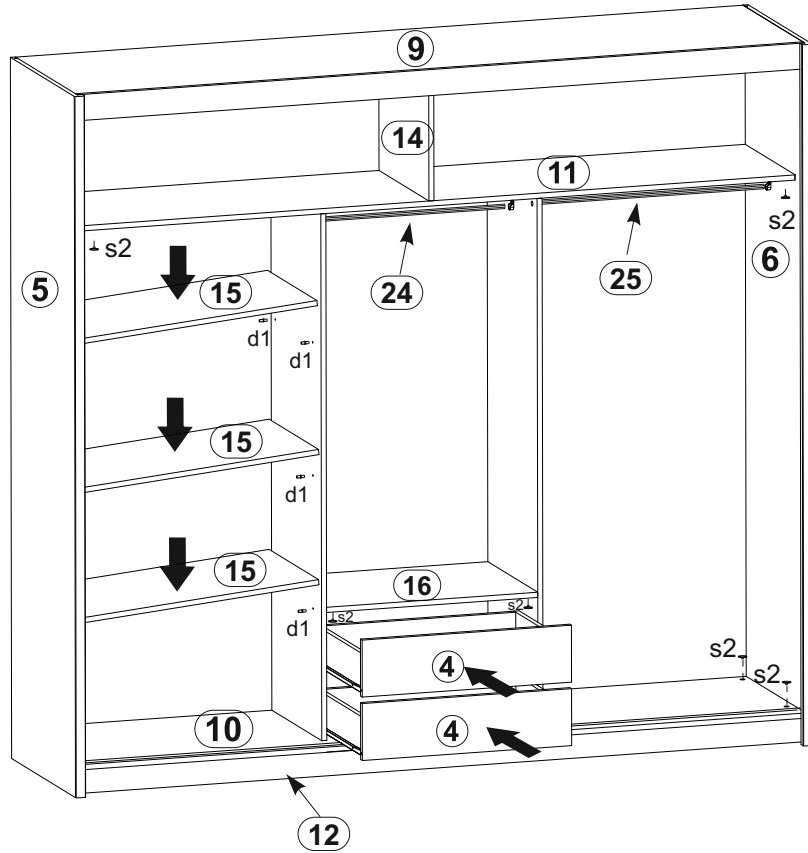
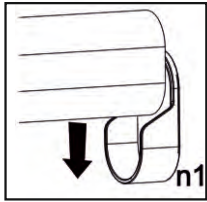
10



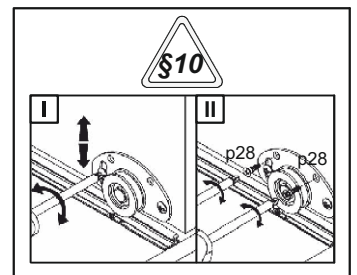
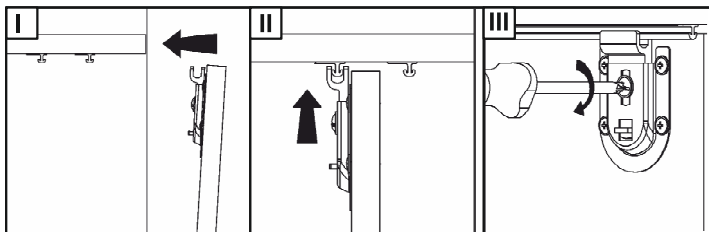
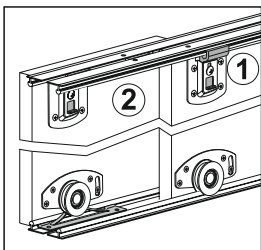
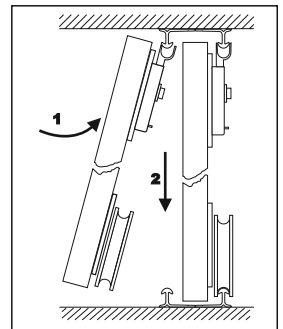
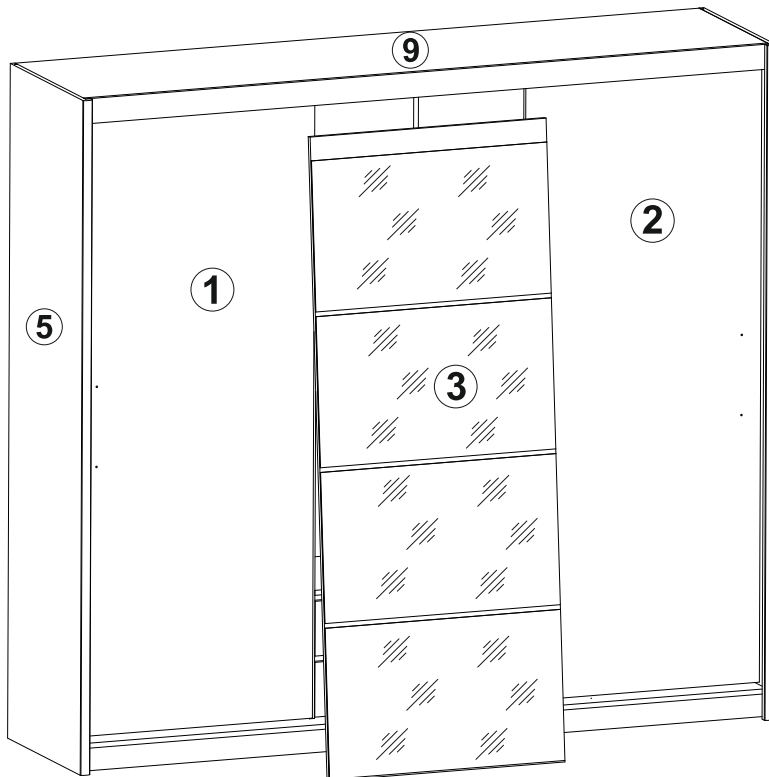
11



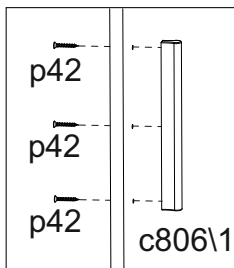
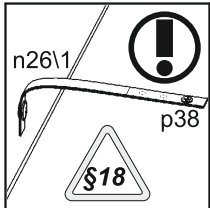
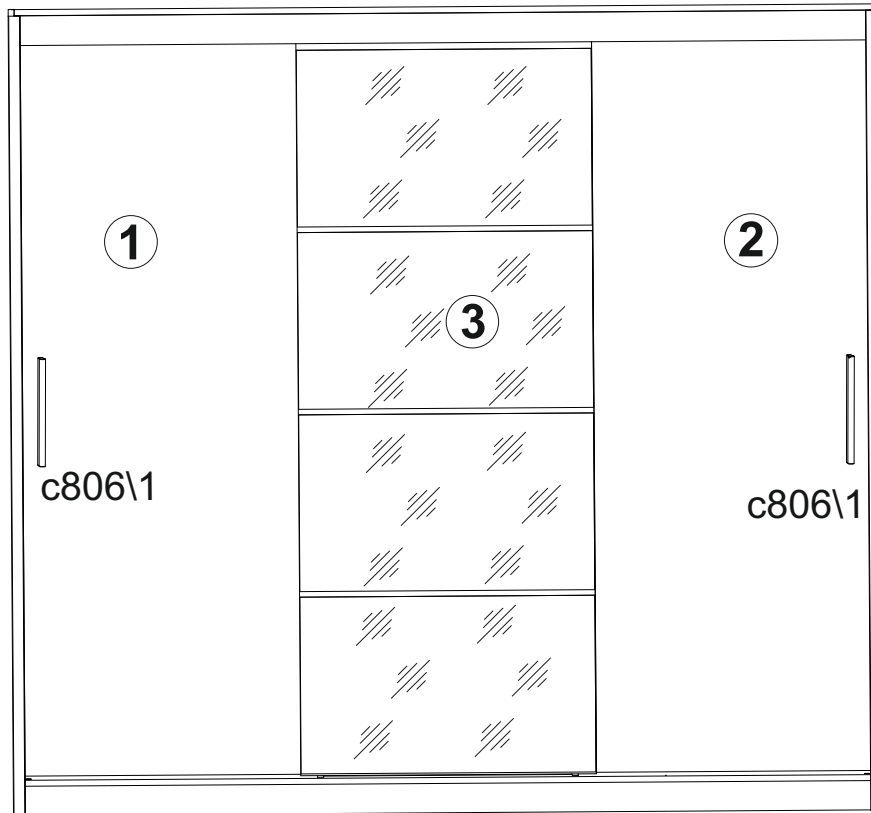
12



13



14



15

