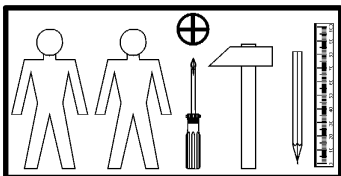
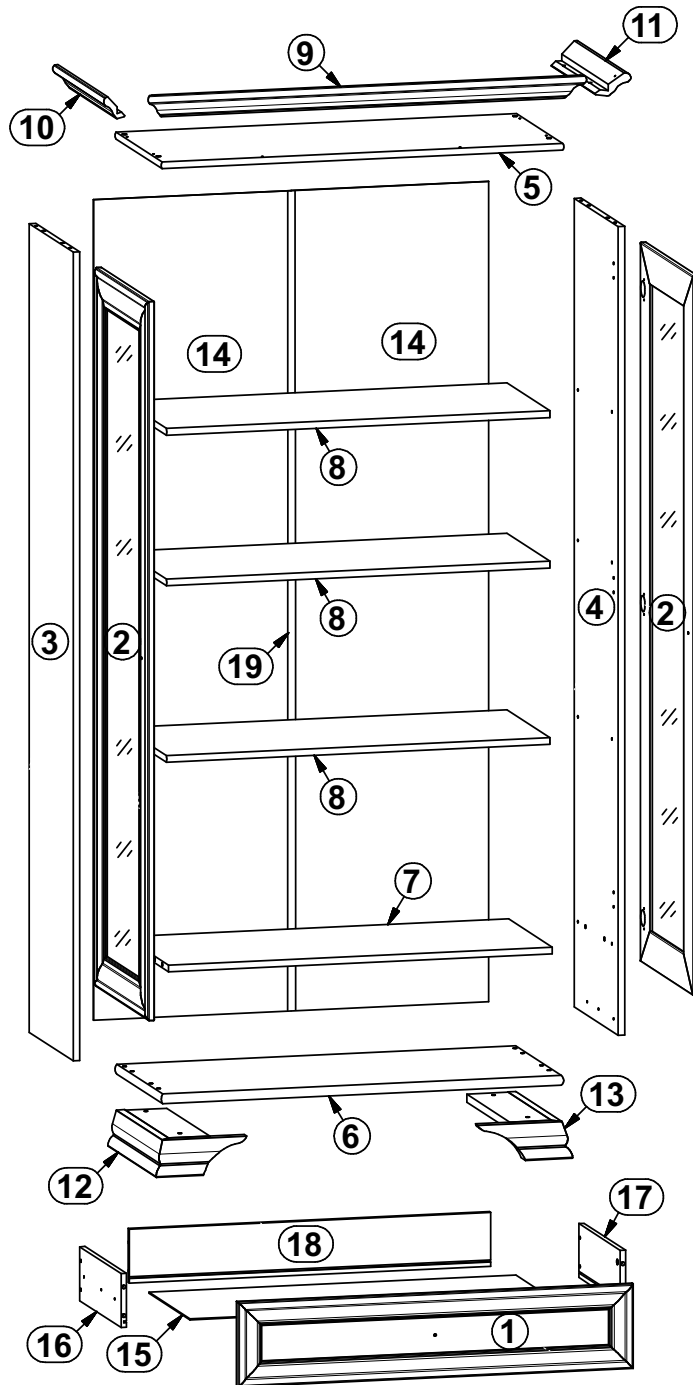
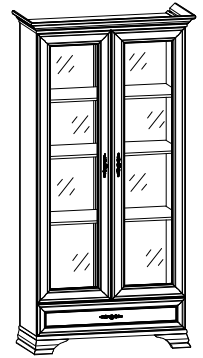


S320-REG2W1S(N)

A	B	C	D	
1	S320-0002N	896	188	5/6
2	S320-0009/N	1728	446	6/6
3	S320-1107N	1928	370	1/6
4	S320-1108N	1928	370	1/6
5	S320-209	912	392	2/6
6	S320-210	912	392	2/6
7	S320-305	868	370	2/6
8	S320-306	867	366	2/6
9	S320-504	994	80	3/6
10	S320-509	433	80	3/6
11	S320-511	433	80	3/6
12	S320-513	408	210	4/6
13	S320-514	408	210	4/6
14	S320-1901N	1954	446	1/6
15	S320-908N	825	348	1/6
16	S320-561N	350	120	2/6
17	S320-562N	350	120	2/6
18	S320-5540N	810	120	2/6
19	Lh-1922	1922	14	1/6



6x a44	6x b19	3x c3511	3x c3512	12x d1 φ5x17 mm	8x e8 φ7x60 mm	6x e3 φ6x13 mm	14x f1 φ8x30 mm	6x p8 φ4x25 mm
1x j59 M4x18 mm	2x j6 M4x30 mm	65x l1	4x p46 φ3x7 mm	12x p51 φ3,5x15 mm	8x r1 φ1,5x12mm #16	8x r42	4x f25 φ6,5x40 mm	12x e2 φ6,3x13 mm
4x e26 φ7x35 mm	2x n40 26x26x16/1 - 125°	1шт. f35 φ10x50 mm	1шт. p17 φ5x60 mm	2x w207/1	2x w207/2	6x p140 φ3,5x12 mm	1x t19 333 mm	2x p25 φ3,5x16 mm
1x z1	4x s2 φ16	1x n2611	1x p38 φ3,5x16 mm	2x d4 φ6,3x15 mm				

